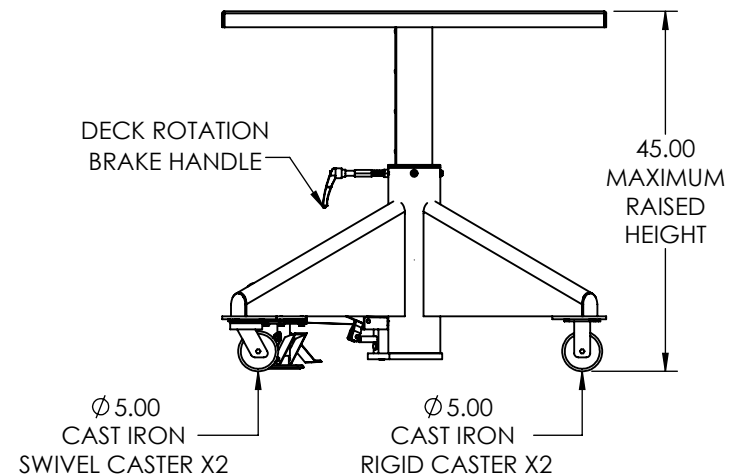
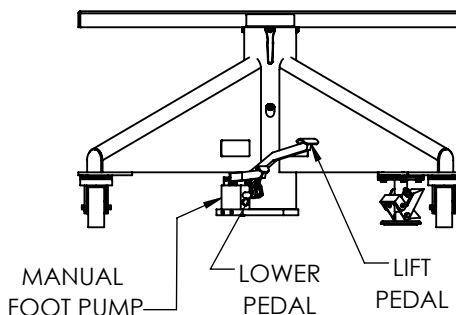
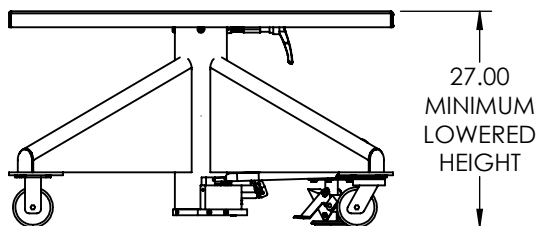
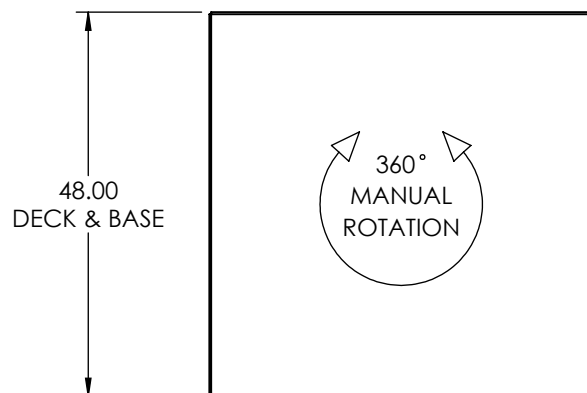


Model: L-248
Capacity: 2,000 Pounds
Raised Height: 45"
Lowered Height: 27"
Travel: 18"
Deck: 48" Sq. Welded Steel Deck, 360° Continuous Rotation with Brake Handle
Base: 48" Sq., Formed Steel Legs, Welded Steel Frame, 2x Each
 Ø5" Cast Iron Rigid & Swivel Casters, 1x Foot Actuated Floor Brake
Power: Manual Powered Foot Pump
Controls: Foot Pedals – Lift/Lower
Paint: Lange Lift Shadow Gray

Email sales@langelift.com for all modification requirements



PROPRIETARY AND CONFIDENTIAL, THE INFORMATION CONTAINED IN THIS DRAWING IS THE SOLE PROPERTY OF LANGE LIFT. ANY REPRODUCTION IN PART OR AS A WHOLE WITHOUT THE WRITTEN PERMISSION OF LANGE LIFT IS PROHIBITED.

DIMENSIONS ARE IN INCHES		DESCRIPTION:			REV:
THIRD ANGLE PROJECTION	L-248 - Specification Sheet			-	
SCALE: NTS	DRAWN BY: DMK	DATE: 12/3/2021	DWG NO: L-248	SHEET: 1 OF 1	