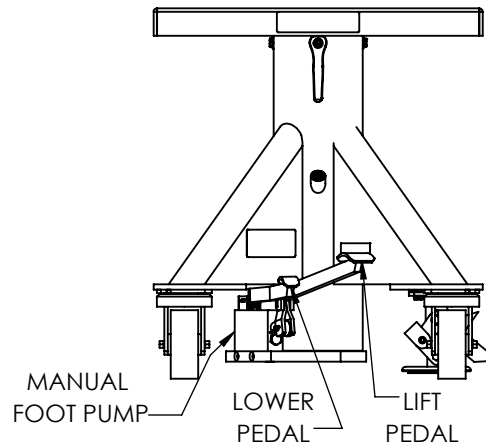
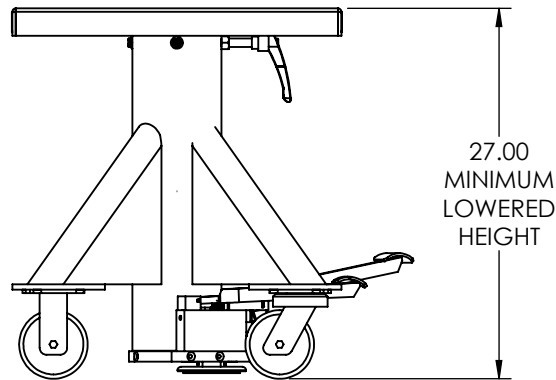
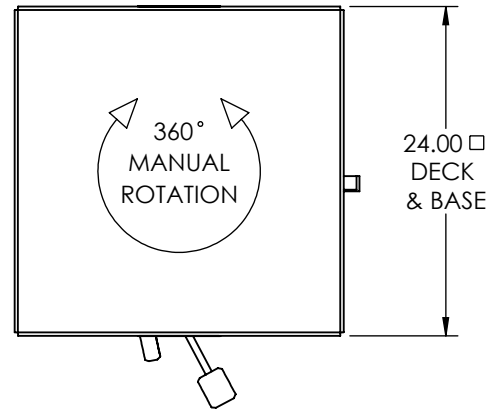
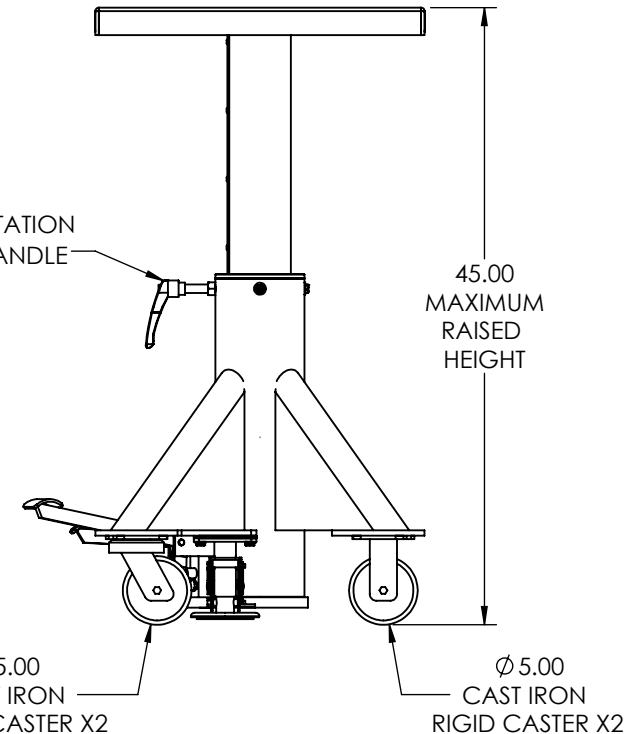


**Model:** L-124  
**Capacity:** 1,000 Pounds  
**Raised Height:** 45"  
**Lowered Height:** 27"  
**Travel:** 18"  
**Deck:** 24" Sq. Welded Steel Deck, 360° Continuous Rotation with Brake Handle  
**Base:** 24" Sq., Formed Steel Legs, Welded Steel Frame, 2x Each Ø5" Cast Iron Rigid & Swivel Casters, 1x Foot Actuated Floor Brake  
**Power:** Manual Powered Foot Pump  
**Controls:** Foot Pedals – Lift/Lower  
**Paint:** Lange Lift Shadow Gray

Email [sales@langelift.com](mailto:sales@langelift.com) for all modification requirements



DECK ROTATION  
BRAKE HANDLE



PROPRIETARY AND CONFIDENTIAL, THE INFORMATION CONTAINED IN THIS DRAWING IS THE SOLE PROPERTY OF LANGE LIFT. ANY REPRODUCTION IN PART OR AS A WHOLE WITHOUT THE WRITTEN PERMISSION OF LANGE LIFT IS PROHIBITED.

DIMENSIONS ARE IN INCHES		DESCRIPTION:		REV:
THIRD ANGLE		L-124 - Specification Sheet		-
PROJECTION	SCALE:	DRAWN BY:	DATE:	DWG NO:
	NTS	DMK	12/7/2021	L-124
				SHEET:
				1 OF 1