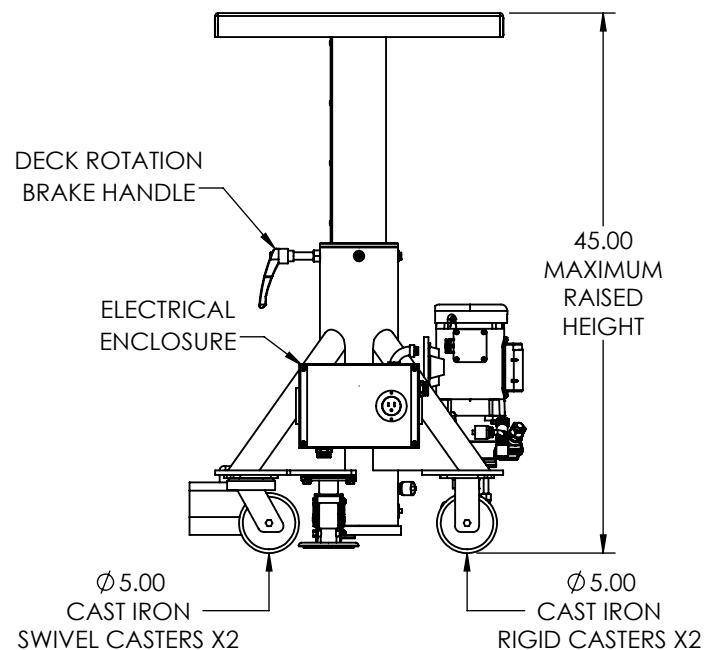
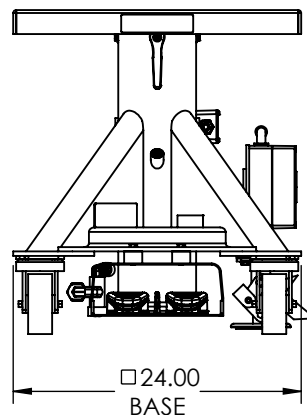
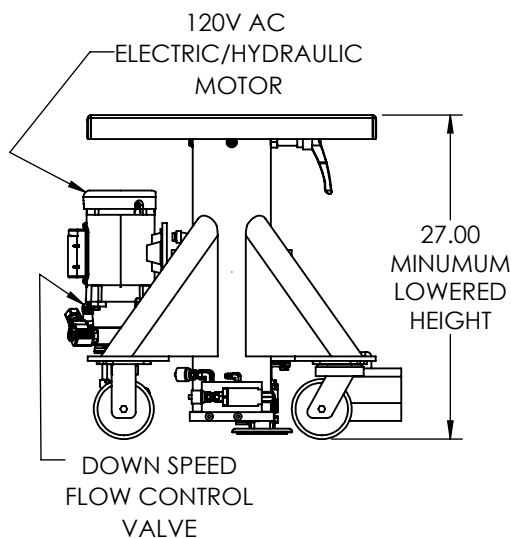
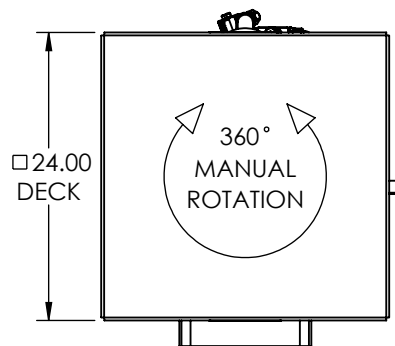
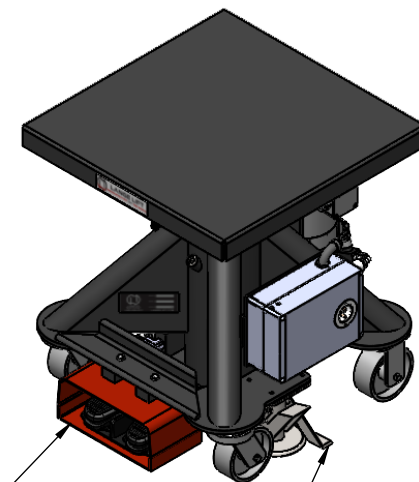


Model: L-124-EP
Capacity: 1,000 Pounds
Raised Height: 45"
Lowered Height: 27"
Travel: 18"
Deck: 24" Sq. Welded Steel Deck, 360° Continuous Rotation with Brake Handle.
Base: 24" Sq., Formed Steel Legs and Welded Steel Frame. Features 2x Each Ø5" Cast Iron Rigid and Swivel Casters, 1x Foot Actuated Floor Brake
Power: 120V AC Electric Over Hydraulic Motor with Electrical Enclosure & Receptacle
Controls: Guarded Dual Foot Switch – Lift/Lower
Paint: Lange Lift Shadow Gray



PO Box 580 Menomonee Falls, WI 53052
 Phone (262) 502-0333 | langelift.com

PROPRIETARY AND CONFIDENTIAL, THE INFORMATION CONTAINED IN THIS DRAWING IS THE SOLE PROPERTY OF LANGE LIFT. ANY REPRODUCTION IN PART OR AS A WHOLE WITHOUT THE WRITTEN PERMISSION OF LANGE LIFT IS PROHIBITED.

| | | | | |
|--------------------------|------------------------------|-----------------|------------------|---------------|
| DIMENSIONS ARE IN INCHES | | DESCRIPTION: | | REV: |
| THIRD ANGLE PROJECTION | L-124-EP SPECIFICATION SHEET | | | - |
| SCALE: NTS | DRAWN BY: DMK | DATE: 12/5/2021 | DWG NO: L-124-EP | SHEET: 1 OF 1 |