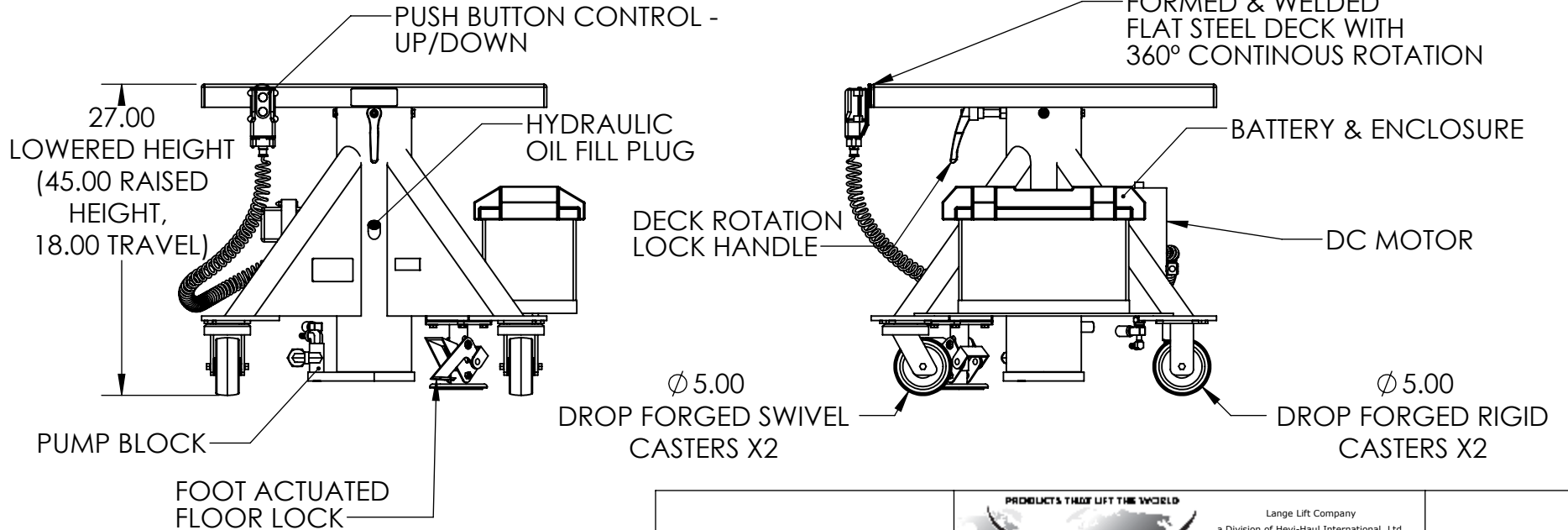



**MODEL:** L-530-BP  
**CAPACITY:** 5,000 Pounds  
**RAISED HEIGHT:** 45.00, **LOWERED HEIGHT:** 27.00, **TRAVEL:** 18.00  
**DECK:** 30" Square, Formed & Welded Flat Steel Deck, 360° Continuous Rotation with Lock Handle  
**BASE:** 30" Square, Formed Steel Legs and Welded Steel Frame. Features 5" Ø Drop Forged Rigid and Swivel Casters and a Foot Actuated Floor Lock.  
**POWER:** 12V Deep Cycle Battery (Enclosed), DC Motor, and On Board Battery Charger  
**CONTROLS:** Push Button Coil Corded Pendant Control – Up/Down  
**PAINT:** Machine Green

Components and locations are subject to change without notice. This is based on, but not limited to, availability, supplier quality, and product improvements



|   |  |   |  |  |  |                                    |  |                           |  |
|---|--|---|--|--|--|------------------------------------|--|---------------------------|--|
| SHEET:<br>1 of 1                                |  | PRODUCTS THAT LIFT THE WORLD<br><br>A DIVISION OF HEVI-HAUL INTERNATIONAL LTD.   |  | Lange Lift Company<br>a Division of Hevi-Haul International, Ltd.<br>PO Box 580<br>Menomonee Falls, WI 53052-0580<br>Toll Free: +1 800.558.0577<br>P: +1 262.502.0333<br>F: +1 262.502.0260<br>E-Mail: sales@langelift.com |  | DIMENSIONS ARE IN INCHES           |  |                           |  |
|   |  | PROPRIETARY AND CONFIDENTIAL<br>THE INFORMATION CONTAINED IN THIS DRAWING IS THE SOLE PROPERTY OF LANGE LIFT. ANY REPRODUCTION IN PART OR AS A WHOLE WITHOUT THE WRITTEN PERMISSION OF LANGE LIFT IS PROHIBITED |  | DRAWN BY:<br><b>DMK</b>  |  | CHECKED BY:                        |  | DATE:<br><b>9/28/2016</b> |  |
| TITLE:<br><b>L-530-BP - Specification Sheet</b> |  |   |  | SCALE:<br><b>1:14</b>  |  | DRAWING NUMBER:<br><b>L-530-BP</b> |  | REVISION:                 |  |