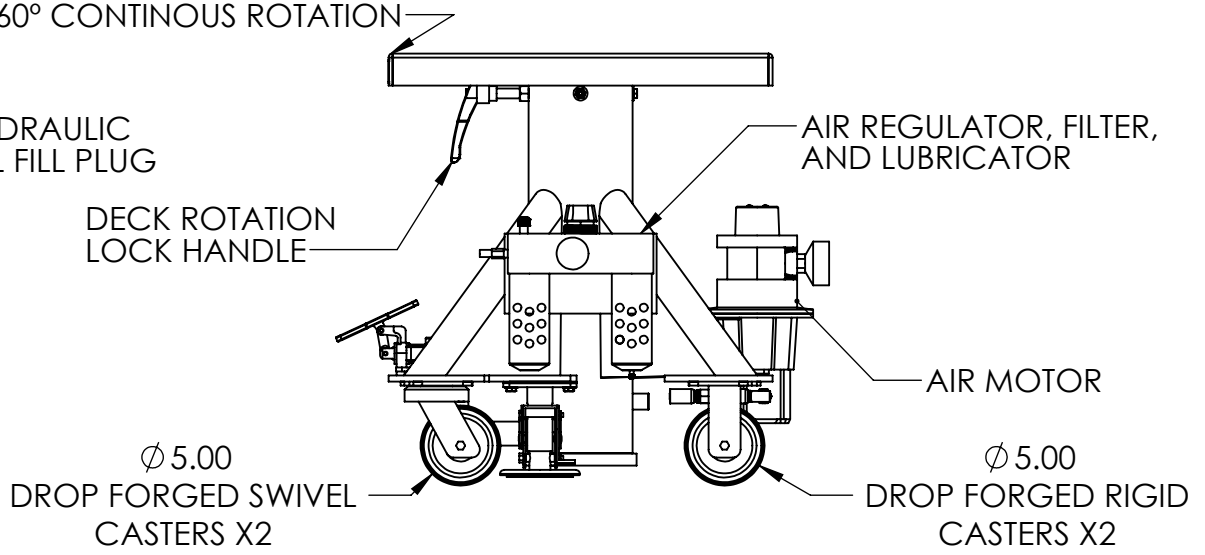
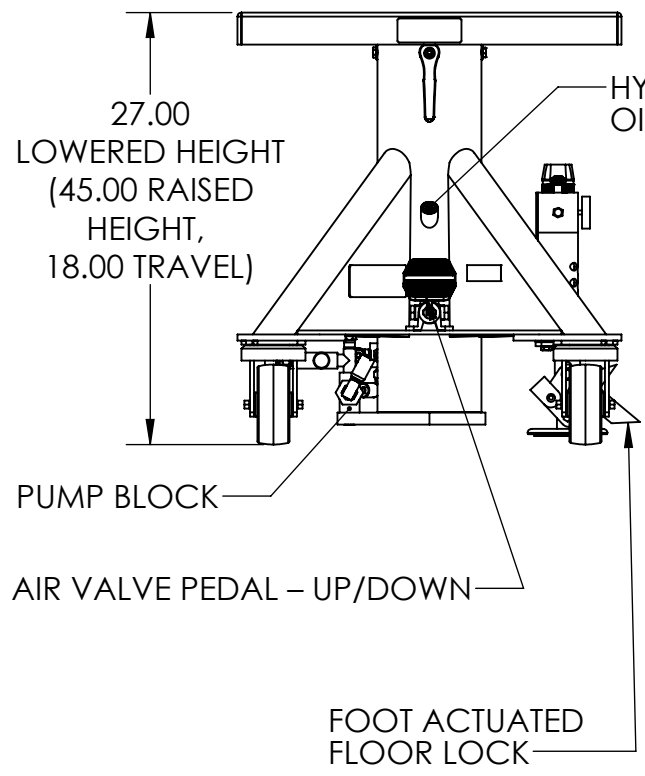


**MODEL:** L-524-AP  
**CAPACITY:** 5,000 Pounds  
**RAISED HEIGHT:** 45.00  
**LOWERED HEIGHT:** 27.00  
**TRAVEL:** 18.00  
**DECK:** 24" Square, Formed & Welded Flat Steel Deck, 360° Continuous Rotation with Lock Handle  
**BASE:** 24" Square, Formed Steel Legs and Welded Steel Frame. Features 5" Ø Drop Forged Rigid and Swivel Casters and a Foot Actuated Floor Lock.  
**POWER:** Air Motor – 80 PSI @ 50 CFM (Recommended), On Board Air Regulator, Filter, and Lubricator  
**CONTROLS:** Air Valve Pedal – Up/Down  
**PAINT:** Machine Green

Components and locations are subject to change without notice. This is based on, but not limited to, availability, supplier quality, and product improvements

FORMED & WELDED  
 FLAT STEEL DECK WITH  
 360° CONTINUOUS ROTATION



|   |  |  |  |  |  |                          |  |                             |  |           |  |
|---|--|--|--|--|--|--------------------------|--|-----------------------------|--|-----------|--|
| SHEET:<br>1 of 1  |  |  |  | Lange Lift Company<br>a Division of Hevi-Haul International, Ltd.<br>PO Box 580<br>Menomonee Falls, WI 53052-0580<br>Toll Free: +1 800.558.0577<br>P: +1 262.502.0333<br>F: +1 262.502.0260<br>E-Mail: sales@langelift.com |  | DIMENSIONS ARE IN INCHES |  |                             |  |           |  |
|   |  |  |  | DRAWN BY:<br>DMK   |  | CHECKED BY:              |  | DATE:<br>9/28/2016          |  |           |  |
| PROPRIETARY AND CONFIDENTIAL<br><br>THE INFORMATION CONTAINED IN THIS DRAWING IS THE SOLE PROPERTY OF LANGE LIFT. ANY REPRODUCTION IN PART OR AS A WHOLE WITHOUT THE WRITTEN PERMISSION OF LANGE LIFT IS PROHIBITED |  | TITLE:<br>L-524-AP - Specification Sheet |  |  |  | SCALE:<br>1:12           |  | DRAWING NUMBER:<br>L-524-AP |  | REVISION: |  |