

MODEL: L-436

CAPACITY: 4,000 Pounds

RAISED HEIGHT: 45.00

LOWERED HEIGHT: 27.00

TRAVEL: 18.00

DECK: 36" Square, Formed & Welded Flat Steel Deck, 360 Degree Continuous Rotation with Lock Handle

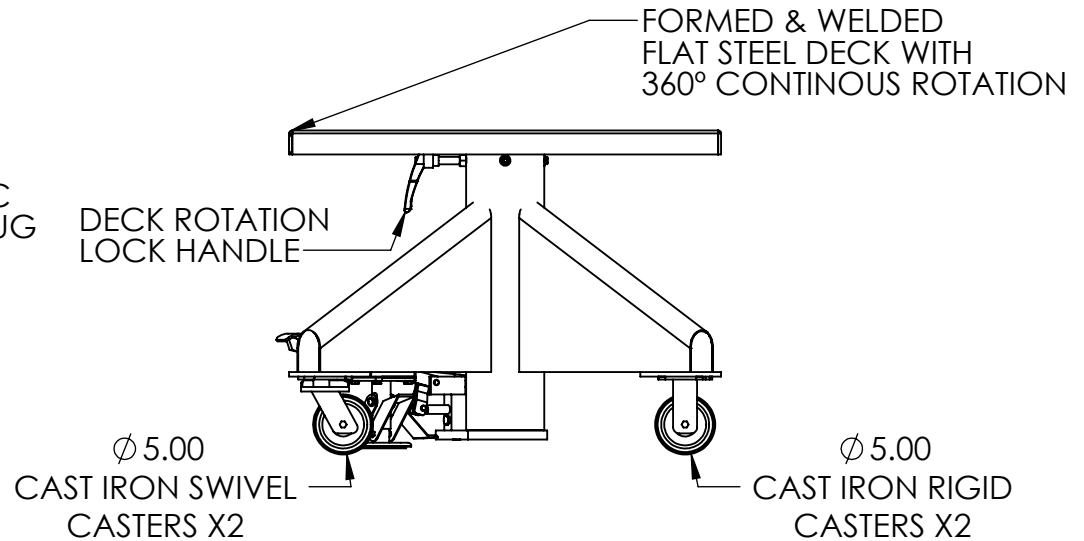
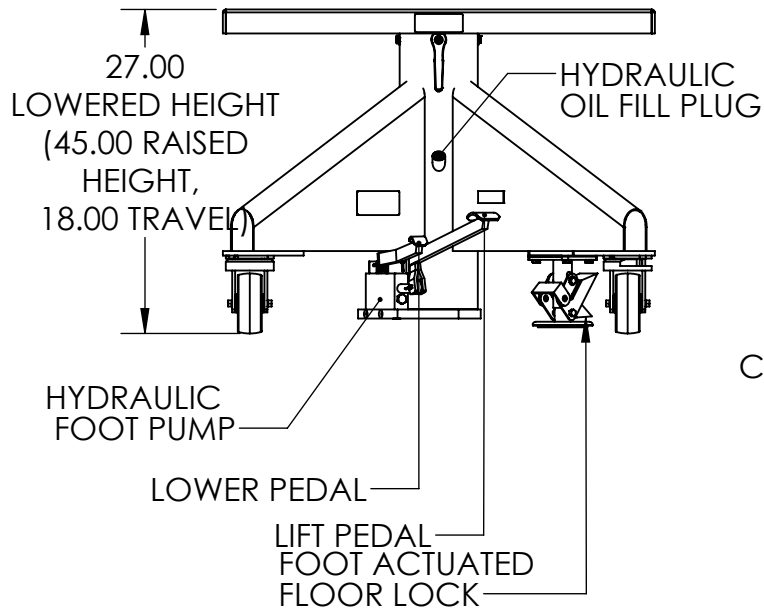
BASE: 36" Square, Formed Steel Legs and Welded Steel Frame. Features 5" Ø Cast Iron Rigid and Swivel Casters and a Foot Actuated Floor Lock


POWER: Manual Powered Foot Pump

CONTROLS: Foot Pedals – Up/Down

PAINT: Machine Green

Components and locations are subject to change without notice. This is based on, but not limited to, availability, supplier quality, and product improvement



| | | | | | | | | | |
|--|--|---|--|--|--|--------------------------|--|---------------------------------|--|
| | |  | | Lange Lift Company a Division of Hevi-Haul International, Ltd. PO Box 580 Menomonee Falls, WI 53052-0580 Toll Free: +1 800.558.0577 P: +1 262.502.0333 F: +1 262.502.0260 E-Mail: sales@langelift.com | | DIMENSIONS ARE IN INCHES | | | |
| SHEET: 1 of 1 | | DRAWN BY: DMK | | CHECKED BY: | | DATE: 9/28/2016 | | | |
| PROPRIETARY AND CONFIDENTIAL THE INFORMATION CONTAINED IN THIS DRAWING IS THE SOLE PROPERTY OF LANGE LIFT. ANY REPRODUCTION IN PART OR AS A WHOLE WITHOUT THE WRITTEN PERMISSION OF LANGE LIFT IS PROHIBITED | | TITLE: L-436 - Specification Sheet | | | | SCALE: 1:16 | | DRAWING NUMBER: L-436 | |
| | | | | | | REVISION: | | | |