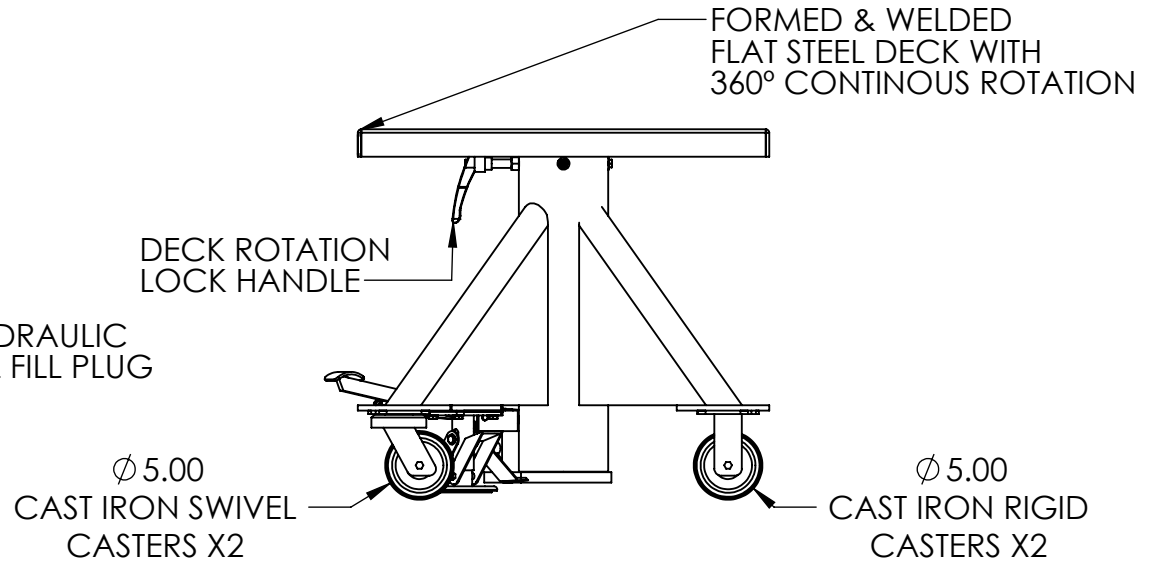
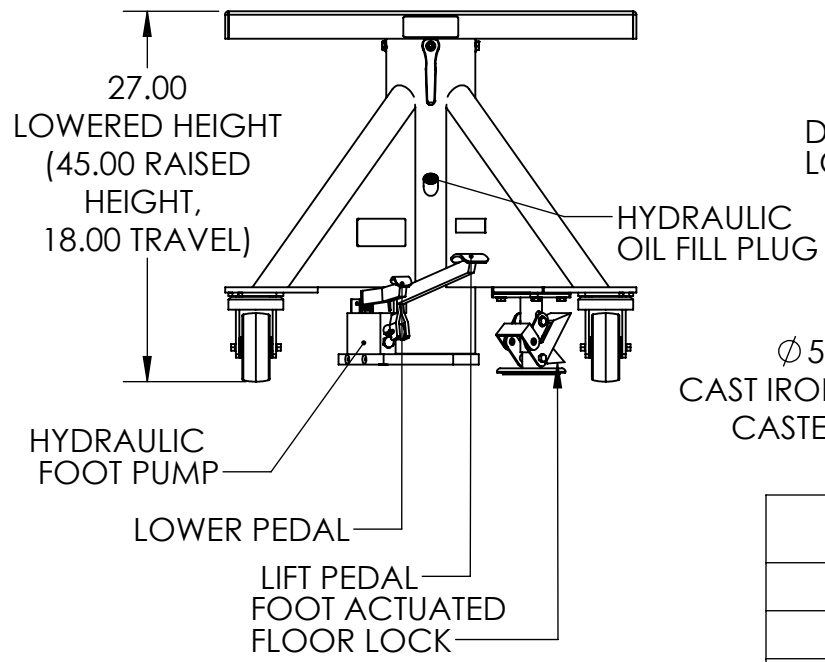



**MODEL:** L-430  
**CAPACITY:** 4,000 Pounds  
**RAISED HEIGHT:** 45.00  
**LOWERED HEIGHT:** 27.00  
**TRAVEL:** 18.00  
**DECK:** 30" Square, Formed & Welded Flat Steel Deck, 360 Degree Continuous Rotation with Lock Handle  
**BASE:** 30" Square, Formed Steel Legs and Welded Steel Frame. Features 5" Ø Cast Iron Rigid and Swivel Casters and a Foot Actuated Floor Lock  
**POWER:** Manual Powered Foot Pump  
**CONTROLS:** Foot Pedals – Up/Down  
**PAINT:** Machine Green

Components and locations are subject to change without notice. This is based on, but not limited to, availability, supplier quality, and product improvement



SHEET: 1 of 1		 <p>Lange Lift Company  a Division of Hevi-Haul International, Ltd.  PO Box 580  Menomonee Falls, WI 53052-0580  Toll Free: +1 800.558.0577  P: +1 262.502.0333  F: +1 262.502.0260  E-Mail: sales@langelift.com</p>		DIMENSIONS ARE IN INCHES
				DATE: 9/28/2016
<b>PROPRIETARY AND CONFIDENTIAL</b> <small>THE INFORMATION CONTAINED IN THIS DRAWING IS THE SOLE PROPERTY OF LANGE LIFT. ANY REPRODUCTION IN PART OR AS A WHOLE WITHOUT THE WRITTEN PERMISSION OF LANGE LIFT IS PROHIBITED</small>		DRAWN BY: DMK TITLE: L-430 - Specification Sheet SCALE: 1:14	CHECKED BY:  DRAWING NUMBER: L-430	REVISION: 