

MODEL: L-448-AP
CAPACITY: 4,000 Pounds
RAISED HEIGHT: 45.00
LOWERED HEIGHT: 27.00
TRAVEL: 18.00

DECK: 48" Square, Formed & Welded Flat Steel Deck, 360° Continuous Rotation with Lock Handle

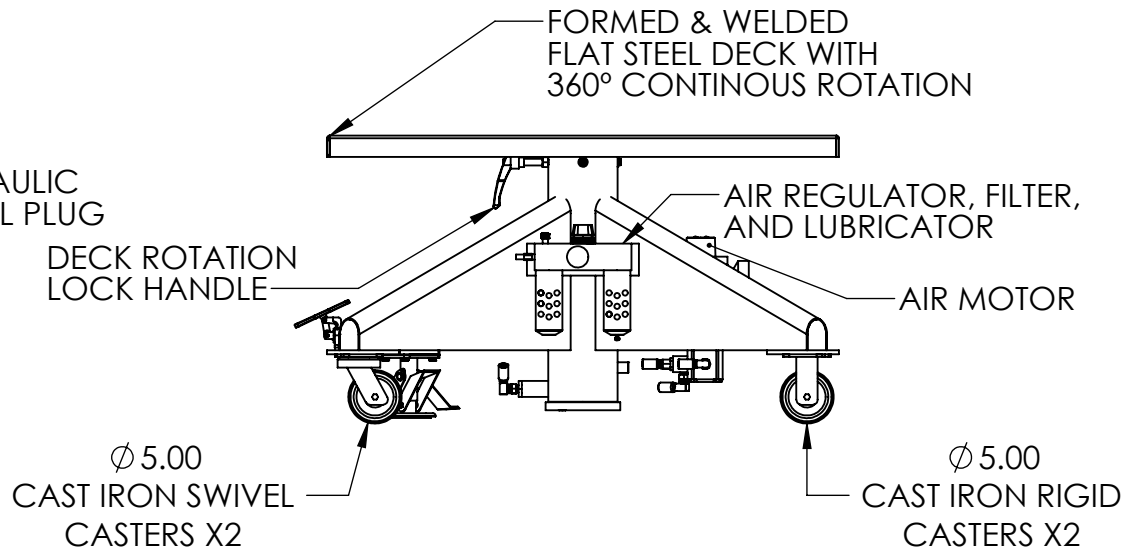
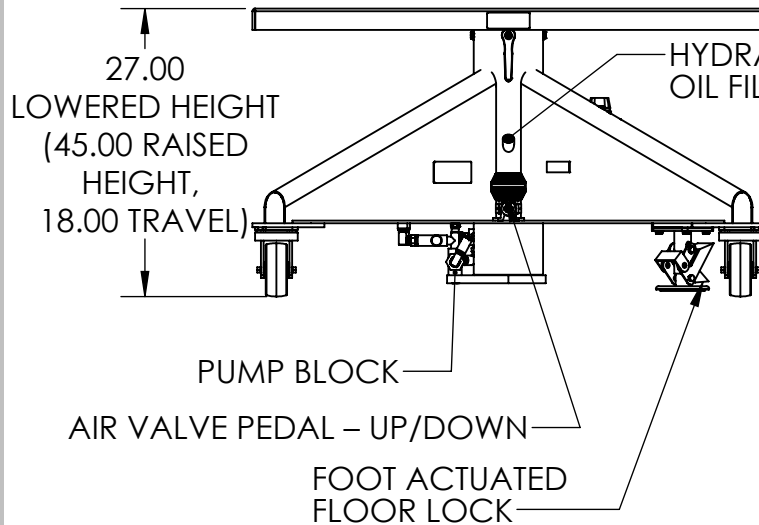
BASE: 48" Square, Formed Steel Legs and Welded Steel Frame. Features 5" Ø Cast Iron Rigid and Swivel Casters and a Foot Actuated Floor Lock.


POWER: Air Motor – 80 PSI @ 50 CFM (Recommended), On Board Air Regulator, Filter, and Lubricator

CONTROLS: Air Valve Pedal – Up/Down

PAINT: Machine Green

Components and locations are subject to change without notice. This is based on, but not limited to, availability, supplier quality, and product improvements



SHEET: 1 of 1		 <p>PRODUCTS THAT LIFT THE WORLD</p> <p>Lange Lift Company a Division of Hevi-Haul International, Ltd. PO Box 580 Menomonee Falls, WI 53052-0580 Toll Free: +1 800.558.0577 P: +1 262.502.0333 F: +1 262.502.0260 E-Mail: sales@langelift.com</p>		DIMENSIONS ARE IN INCHES
		<p>PROPRIETARY AND CONFIDENTIAL</p> <p>THE INFORMATION CONTAINED IN THIS DRAWING IS THE SOLE PROPERTY OF LANGE LIFT. ANY REPRODUCTION IN PART OR AS A WHOLE WITHOUT THE WRITTEN PERMISSION OF LANGE LIFT IS PROHIBITED</p>	<p>DRAWN BY: DMK</p> <p>TITLE: L-448-AP - Specification Sheet</p> <p>SCALE: 1:18</p>	<p>CHECKED BY:</p> <p>DATE: 9/28/2016</p>
		REVISION:		