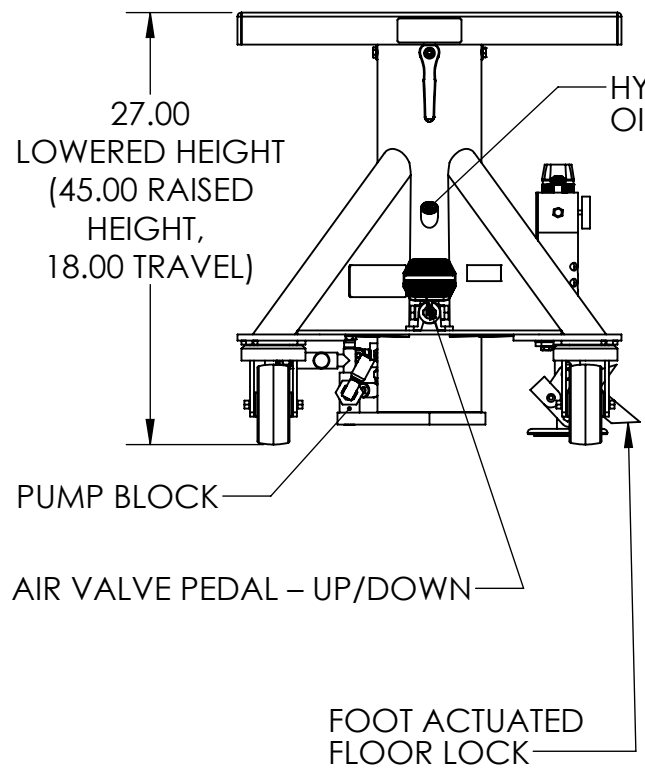


24.00 □
DECK
&
BASE

MODEL: L-424-AP
CAPACITY: 4,000 Pounds
RAISED HEIGHT: 45.00
LOWERED HEIGHT: 27.00
TRAVEL: 18.00
DECK: 24" Square, Formed & Welded Flat Steel Deck, 360° Continuous Rotation with Lock Handle
BASE: 24" Square, Formed Steel Legs and Welded Steel Frame. Features 5" Ø Cast Iron Rigid and Swivel Casters and a Foot Actuated Floor Lock.
POWER: Air Motor – 80 PSI @ 50 CFM (Recommended), On Board Air Regulator, Filter, and Lubricator
CONTROLS: Air Valve Pedal – Up/Down
PAINT: Machine Green

Components and locations are subject to change without notice. This is based on, but not limited to, availability, supplier quality, and product improvements

FORMED & WELDED
FLAT STEEL DECK WITH
360° CONTINUOUS ROTATION



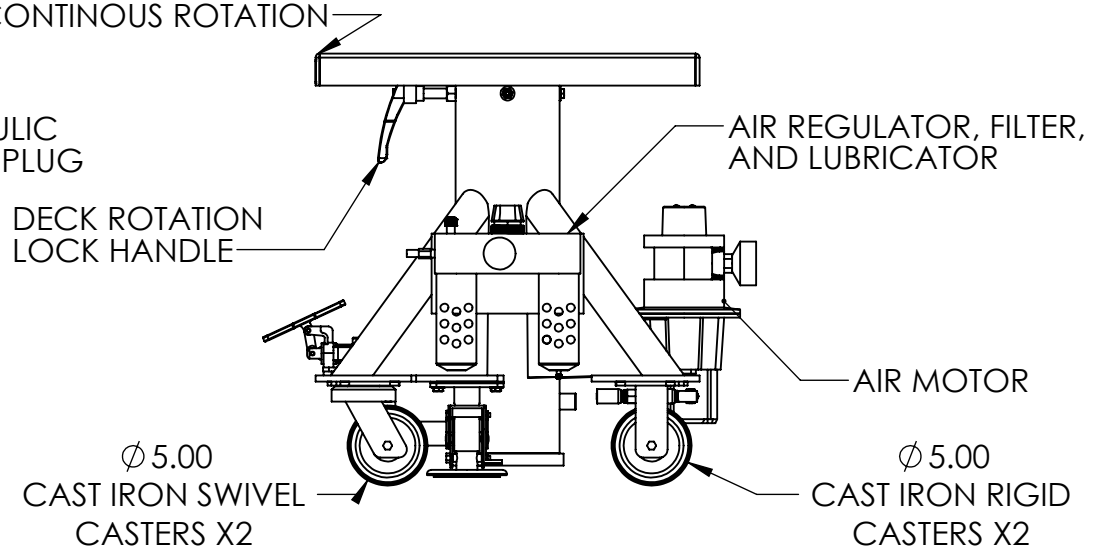
27.00
LOWERED HEIGHT
(45.00 RAISED
HEIGHT,
18.00 TRAVEL)

HYDRAULIC
OIL FILL PLUG

PUMP BLOCK

AIR VALVE PEDAL – UP/DOWN

FOOT ACTUATED
FLOOR LOCK




DECK ROTATION
LOCK HANDLE

AIR REGULATOR, FILTER,
AND LUBRICATOR

AIR MOTOR

Ø 5.00
CAST IRON SWIVEL
CASTERS X2

Ø 5.00
CAST IRON RIGID
CASTERS X2

SHEET: 1 of 1		PRODUCTS THAT LIFT THE WORLD  A DIVISION OF HEVI-HAUL INTERNATIONAL, LTD.		Lange Lift Company a Division of Hevi-Haul International, Ltd. PO Box 580 Menomonee Falls, WI 53052-0580 Toll Free: +1 800.558.0577 P: +1 262.502.0333 F: +1 262.502.0260 E-Mail: sales@langelift.com		DIMENSIONS ARE IN INCHES			
		PROPRIETARY AND CONFIDENTIAL THE INFORMATION CONTAINED IN THIS DRAWING IS THE SOLE PROPERTY OF LANGE LIFT. ANY REPRODUCTION IN PART OR AS A WHOLE WITHOUT THE WRITTEN PERMISSION OF LANGE LIFT IS PROHIBITED		DRAWN BY: DMK		CHECKED BY:		DATE: 9/28/2016	
TITLE: L-424-AP - Specification Sheet				SCALE: 1:12		DRAWING NUMBER: L-424-AP		REVISION:	