

**MODEL:** L-336

**CAPACITY:** 3,000 Pounds

**RAISED HEIGHT:** 45.00

**LOWERED HEIGHT:** 27.00

**TRAVEL:** 18.00

**DECK:** 36" Square, Formed & Welded Flat Steel Deck, 360 Degree Continuous Rotation with Lock Handle

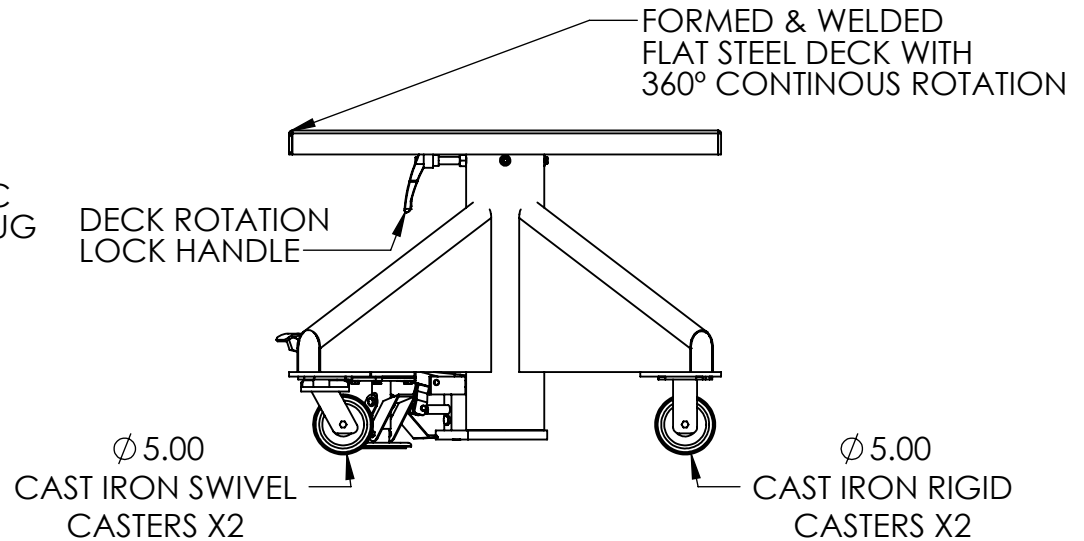
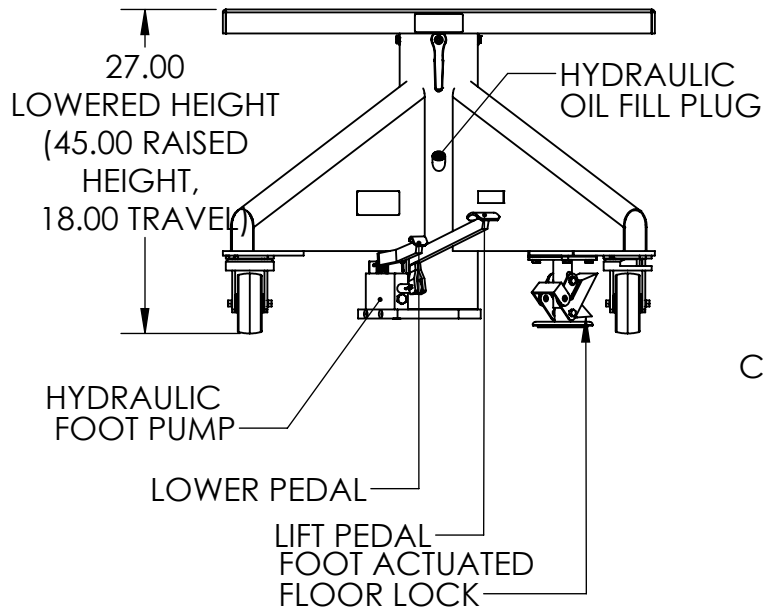
**BASE:** 36" Square, Formed Steel Legs and Welded Steel Frame. Features 5" Ø Cast Iron Rigid and Swivel Casters and a Foot Actuated Floor Lock


**POWER:** Manual Powered Foot Pump

**CONTROLS:** Foot Pedals – Up/Down

**PAINT:** Machine Green

Components and locations are subject to change without notice. This is based on, but not limited to, availability, supplier quality, and product improvement



SHEET: 1 of 1		 <p>PRODUCTS THAT LIFT THE WORLD</p> <p>Lange Lift Company a Division of Hevi-Haul International, Ltd. PO Box 580 Menomonee Falls, WI 53052-0580 Toll Free: +1 800.558.0577 P: +1 262.502.0333 F: +1 262.502.0260 E-Mail: sales@langelift.com</p>		DIMENSIONS ARE IN INCHES
		DRAWN BY: DMK		CHECKED BY:
<b>PROPRIETARY AND CONFIDENTIAL</b>  THE INFORMATION CONTAINED IN THIS DRAWING IS THE SOLE PROPERTY OF LANGE LIFT. ANY REPRODUCTION IN PART OR AS A WHOLE WITHOUT THE WRITTEN PERMISSION OF LANGE LIFT IS PROHIBITED		<b>TITLE:</b> L-336 - Specification Sheet  <b>SCALE:</b> 1:16 <b>DRAWING NUMBER:</b> L-336 <b>REVISION:</b>		