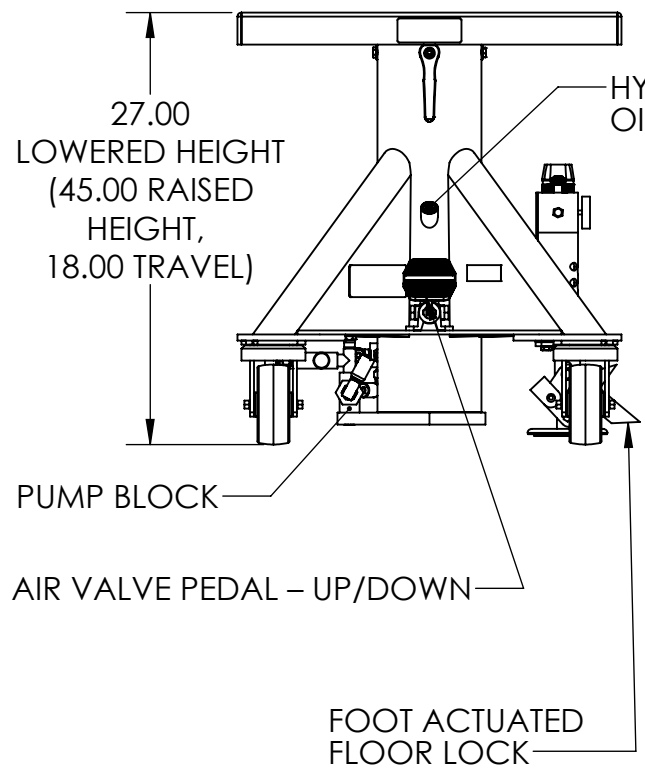


24.00 □  
DECK  
&  
BASE

**MODEL:** L-324-AP  
**CAPACITY:** 3,000 Pounds  
**RAISED HEIGHT:** 45.00  
**LOWERED HEIGHT:** 27.00  
**TRAVEL:** 18.00  
**DECK:** 24" Square, Formed & Welded Flat Steel Deck, 360° Continuous Rotation with Lock Handle  
**BASE:** 24" Square, Formed Steel Legs and Welded Steel Frame. Features 5" Ø Cast Iron Rigid and Swivel Casters and a Foot Actuated Floor Lock.  
**POWER:** Air Motor – 80 PSI @ 50 CFM (Recommended), On Board Air Regulator, Filter, and Lubricator  
**CONTROLS:** Air Valve Pedal – Up/Down  
**PAINT:** Machine Green

Components and locations are subject to change without notice. This is based on, but not limited to, availability, supplier quality, and product improvements

FORMED & WELDED  
FLAT STEEL DECK WITH  
360° CONTINUOUS ROTATION

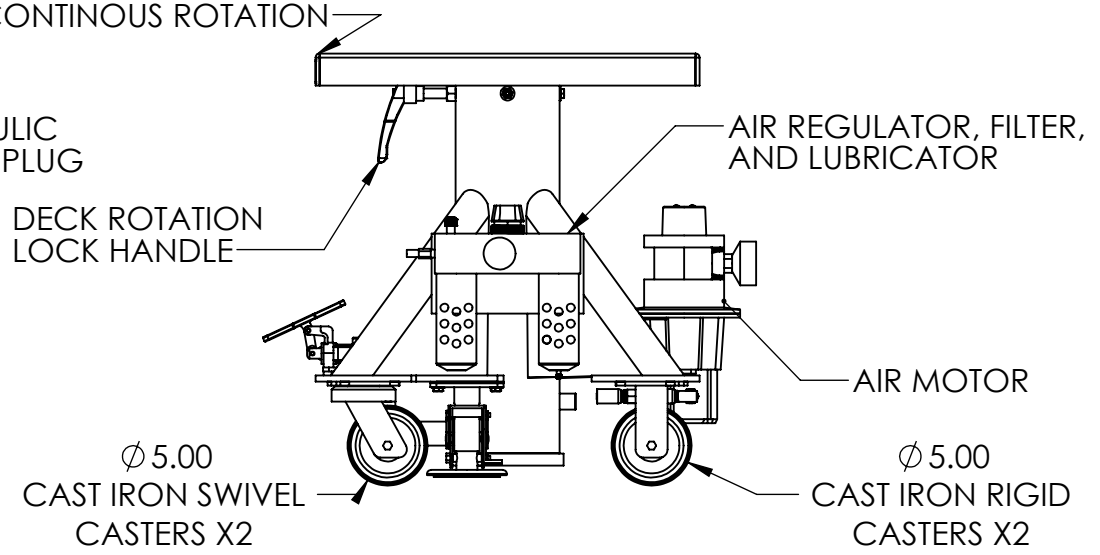


27.00  
LOWERED HEIGHT  
(45.00 RAISED  
HEIGHT,  
18.00 TRAVEL)

PUMP BLOCK

AIR VALVE PEDAL – UP/DOWN

FOOT ACTUATED  
FLOOR LOCK



DECK ROTATION  
LOCK HANDLE


HYDRAULIC  
OIL FILL PLUG

AIR REGULATOR, FILTER,  
AND LUBRICATOR

AIR MOTOR

Ø 5.00  
CAST IRON SWIVEL  
CASTERS X2

Ø 5.00  
CAST IRON RIGID  
CASTERS X2

SHEET: 1 of 1		PRODUCTS THAT LIFT THE WORLD  A DIVISION OF HEVI-HAUL INTERNATIONAL, LTD.		Lange Lift Company a Division of Hevi-Haul International, Ltd. PO Box 580 Menomonee Falls, WI 53052-0580 Toll Free: +1 800.558.0577 P: +1 262.502.0333 F: +1 262.502.0260 E-Mail: sales@langelift.com		DIMENSIONS ARE IN INCHES	
		PROPRIETARY AND CONFIDENTIAL  THE INFORMATION CONTAINED IN THIS DRAWING IS THE SOLE PROPERTY OF LANGE LIFT. ANY REPRODUCTION IN PART OR AS A WHOLE WITHOUT THE WRITTEN PERMISSION OF LANGE LIFT IS PROHIBITED		DRAWN BY: DMK TITLE: L-324-AP - Specification Sheet		CHECKED BY:  DATE: 9/28/2016	
		SCALE: 1:12		DRAWING NUMBER: L-324-AP		REVISION:	