

MODEL: L-236

CAPACITY: 2,000 Pounds

RAISED HEIGHT: 45.00

LOWERED HEIGHT: 27.00

TRAVEL: 18.00

DECK: 36" Square, Formed & Welded Flat Steel Deck, 360 Degree Continuous Rotation with Lock Handle

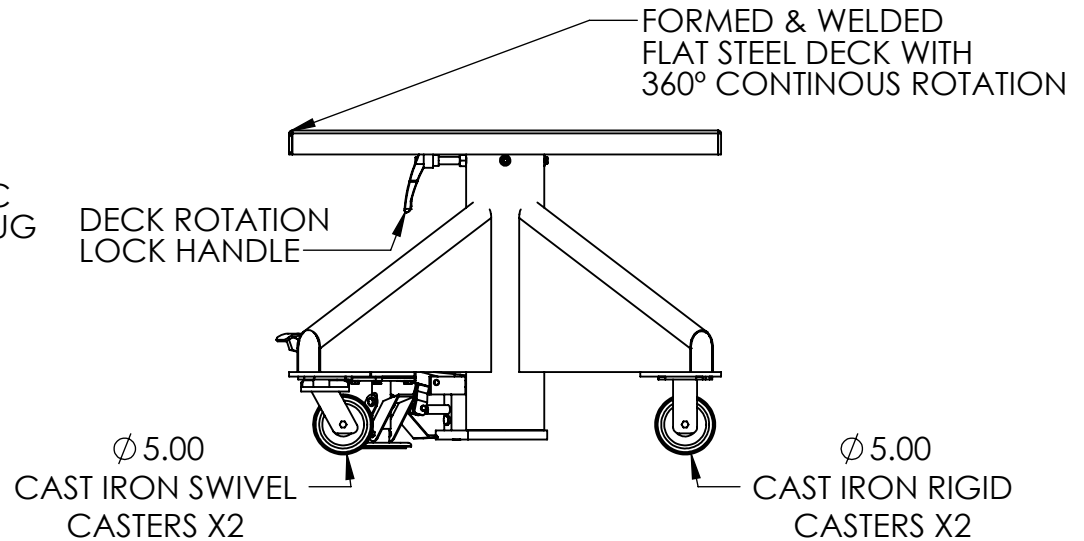
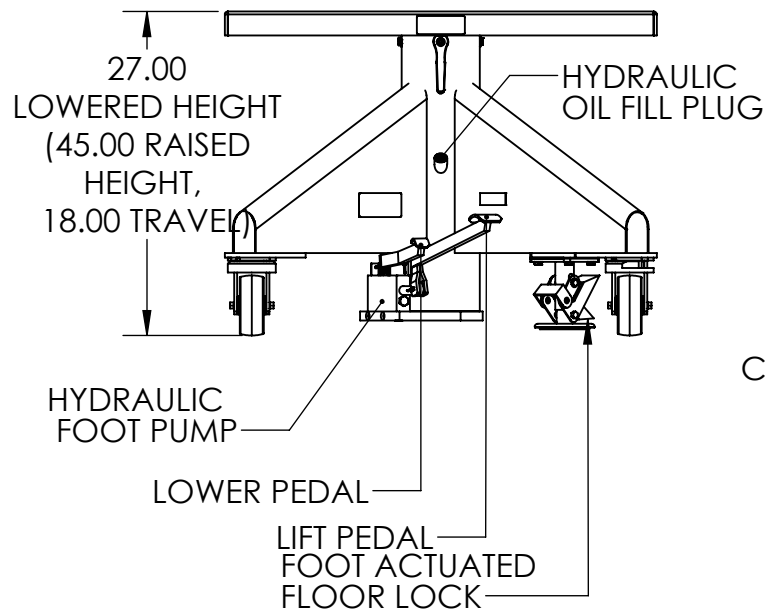
BASE: 36" Square, Formed Steel Legs and Welded Steel Frame. Features 5" Ø Cast Iron Rigid and Swivel Casters and a Foot Actuated Floor Lock

POWER: Manual Powered Foot Pump

CONTROLS: Foot Pedals – Up/Down

PAINT: Machine Green

Components and locations are subject to change without notice. This is based on, but not limited to, availability, supplier quality, and product improvement



				Lange Lift Company a Division of Hevi-Haul International, Ltd. PO Box 580 Menomonee Falls, WI 53052-0580 Toll Free: +1 800.558.0577 P: +1 262.502.0333 F: +1 262.502.0260 E-Mail: sales@langelift.com		DIMENSIONS ARE IN INCHES	
SHEET: 1 of 1		DRAWN BY: DMK		CHECKED BY:		DATE: 9/28/2016	
PROPRIETARY AND CONFIDENTIAL THE INFORMATION CONTAINED IN THIS DRAWING IS THE SOLE PROPERTY OF LANGE LIFT. ANY REPRODUCTION IN PART OR AS A WHOLE WITHOUT THE WRITTEN PERMISSION OF LANGE LIFT IS PROHIBITED		TITLE: L-236 - Specification Sheet					
		SCALE: 1:16		DRAWING NUMBER: L-236		REVISION:	