

MODEL: L-236-AP
CAPACITY: 2,000 Pounds
RAISED HEIGHT: 45.00
LOWERED HEIGHT: 27.00
TRAVEL: 18.00

DECK: 36" Square, Formed & Welded Flat Steel Deck, 360° Continuous Rotation with Lock Handle

BASE: 36" Square, Formed Steel Legs and Welded Steel Frame. Features 5" Ø Cast Iron Rigid and Swivel Casters and a Foot Actuated Floor Lock.

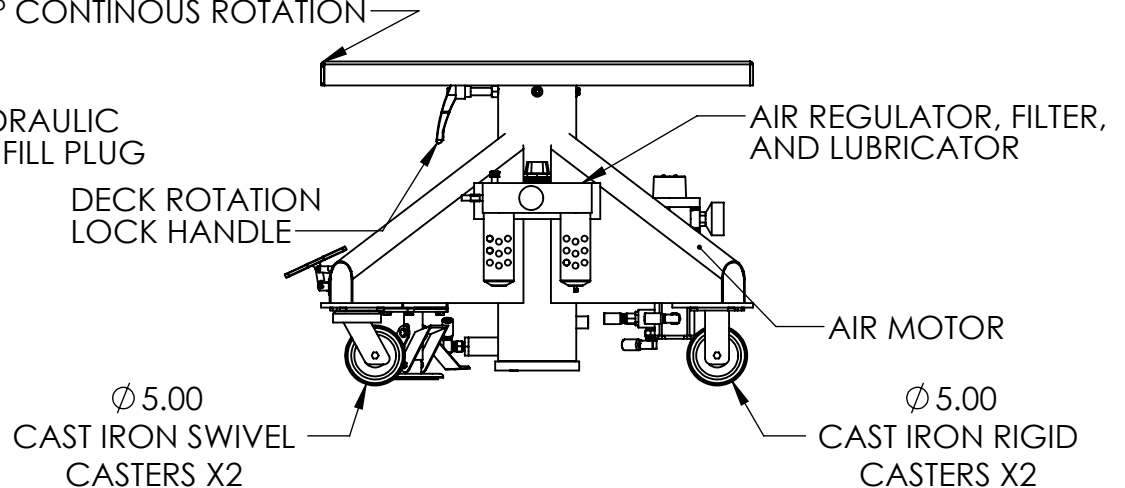
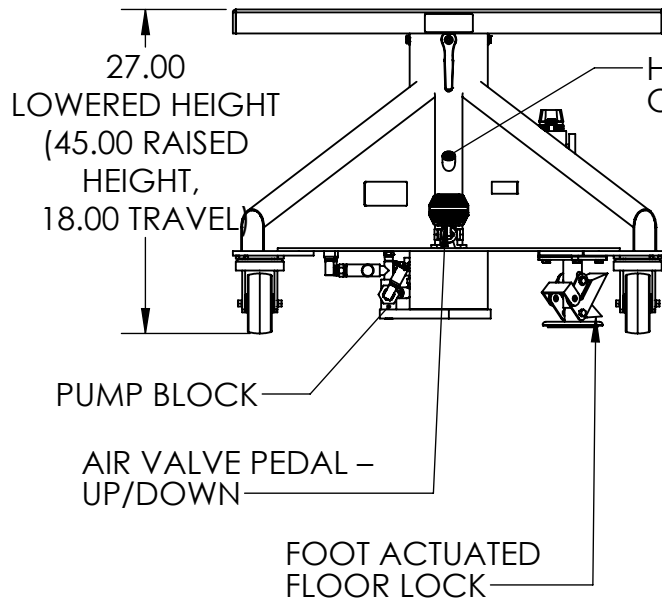
POWER: Air Motor – 80 PSI @ 50 CFM (Recommended), On Board Air Regulator, Filter, and Lubricator

CONTROLS: Air Valve Pedal – Up/Down

PAINT: Machine Green

Components and locations are subject to change without notice. This is based on, but not limited to, availability, supplier quality, and product improvements

FORMED & WELDED
 FLAT STEEL DECK WITH
 360° CONTINUOUS ROTATION



				Lange Lift Company a Division of Hevi-Haul International, Ltd. PO Box 580 Menomonee Falls, WI 53052-0580 Toll Free: +1 800.558.0577 P: +1 262.502.0333 F: +1 262.502.0260 E-Mail: sales@langelift.com		DIMENSIONS ARE IN INCHES	
SHEET: 1 of 1		DRAWN BY: DMK		CHECKED BY:		DATE: 9/28/2016	
PROPRIETARY AND CONFIDENTIAL THE INFORMATION CONTAINED IN THIS DRAWING IS THE SOLE PROPERTY OF LANGE LIFT. ANY REPRODUCTION IN PART OR AS A WHOLE WITHOUT THE WRITTEN PERMISSION OF LANGE LIFT IS PROHIBITED		TITLE: L-236-AP - Specification Sheet				REVISION:	
		SCALE: 1:16		DRAWING NUMBER: L-236-AP			