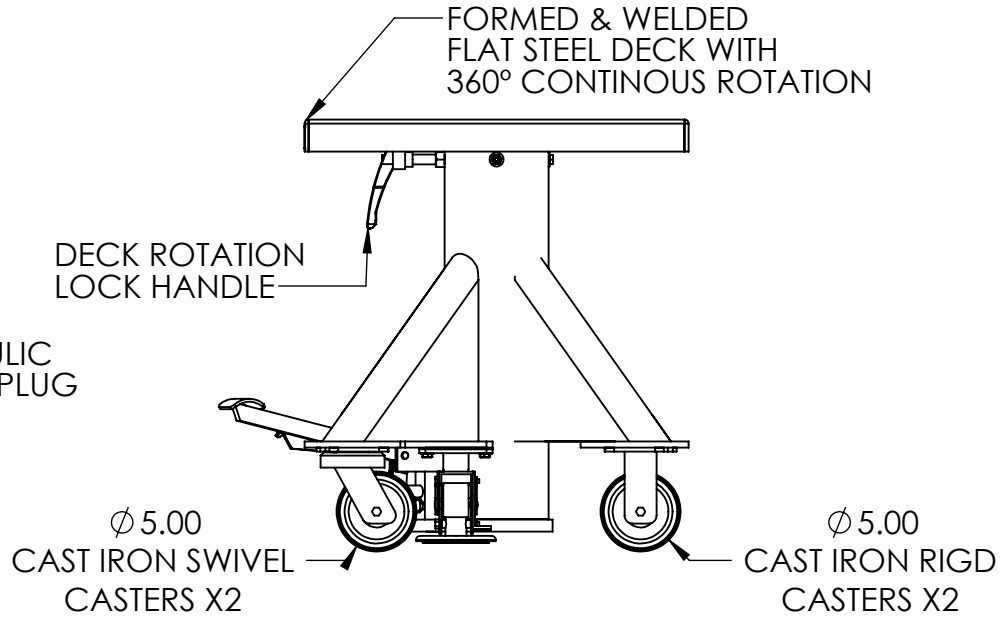
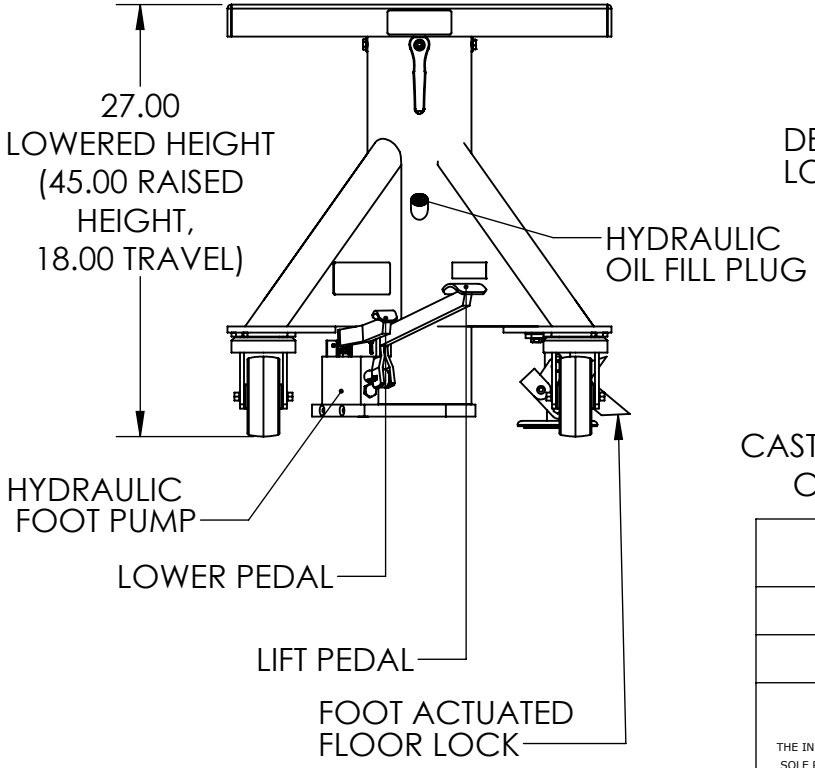



MODEL: L-124
CAPACITY: 1,000 Pounds
RAISED HEIGHT: 45.00
LOWERED HEIGHT: 27.00
TRAVEL: 18.00
DECK: 24" Square, Formed & Welded Flat Steel with 360° Continuous Rotation (Lockable)
BASE: 24" Square, (2) Cast Iron Swivel Casters, (2) Cast Iron Rigid Casters, (1) Foot Actuated Floor Lock
PAINT: Machine Green



SHEET: 1 of 1		 <p>PRODUCTS THAT LIFT THE WORLD</p> <p>Lange Lift Company a Division of Hevi-Haul International, Ltd. PO Box 580 Menomonee Falls, WI 53052-0580 Toll Free: +1 800.558.0577 P: +1 262.502.0333 F: +1 262.502.0260 E-Mail: sales@langelift.com</p>		DIMENSIONS ARE IN INCHES
		PROPRIETARY AND CONFIDENTIAL	DRAWN BY: DMK	CHECKED BY:
THE INFORMATION CONTAINED IN THIS DRAWING IS THE SOLE PROPERTY OF LANGE LIFT. ANY REPRODUCTION IN PART OR AS A WHOLE WITHOUT THE WRITTEN PERMISSION OF LANGE LIFT IS PROHIBITED.		TITLE: L-124 - Specification Sheet		REVISION:
SCALE: 1:12		DRAWING NUMBER: L-124		