

MODEL: L-124-EP
CAPACITY: 1,000 Pounds
RAISED HEIGHT: 45.00
LOWERED HEIGHT: 27.00
TRAVEL: 18.00

DECK: 24" Square, Formed & Welded Flat Steel Deck, 360° Continuous Rotation with Lock Handle

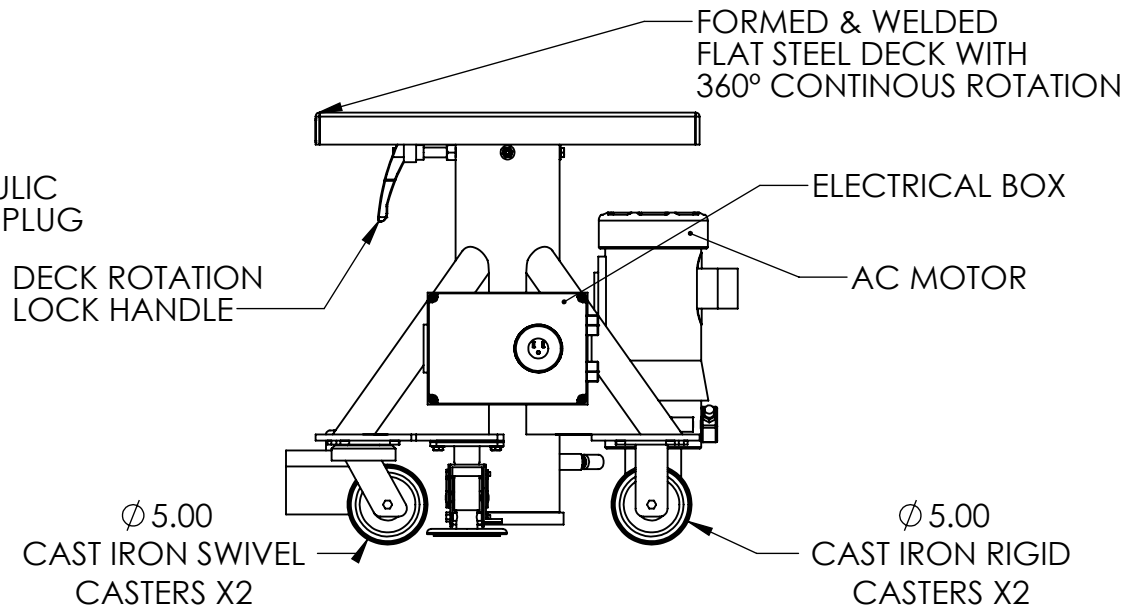
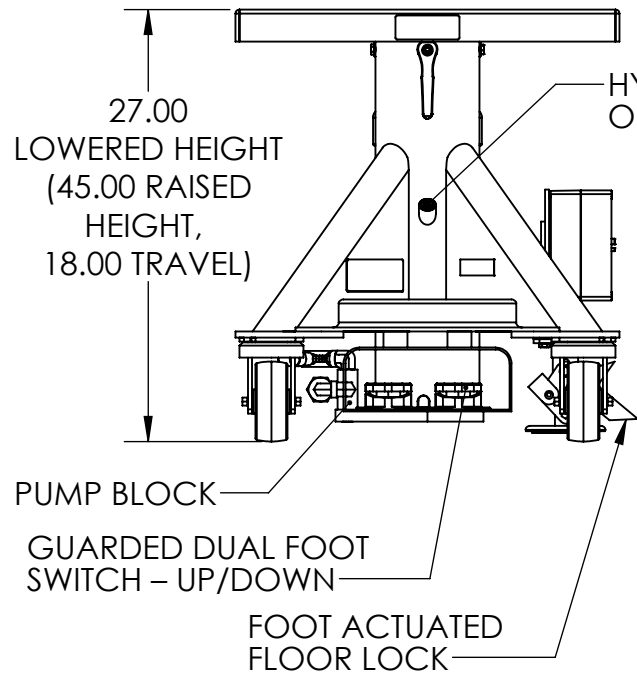
BASE: 24" Square, Formed Steel Legs and Welded Steel Frame. Features 5" Ø Cast Iron Rigid and Swivel Casters and a Foot Actuated Floor Lock.

POWER: 120V AC Electric over Hydraulic Motor

CONTROLS: Guarded Dual Foot Switch – Up/Down

PAINT: Machine Green

Components and locations are subject to change without notice. This is based on, but not limited to, availability, supplier quality, and product improvements



| | | | | |
|--|--|--|---|--------------------------|
| SHEET: 1 of 1 | | <p>Lange Lift Company a Division of Hevi-Haul International, Ltd. PO Box 580 Menomonee Falls, WI 53052-0580 Toll Free: +1 800.558.0577 P: +1 262.502.0333 F: +1 262.502.0260 E-Mail: sales@langelift.com</p> | | DIMENSIONS ARE IN INCHES |
| | | | | DATE: 9/28/2016 |
| PROPRIETARY AND CONFIDENTIAL THE INFORMATION CONTAINED IN THIS DRAWING IS THE SOLE PROPERTY OF LANGE LIFT. ANY REPRODUCTION IN PART OR AS A WHOLE WITHOUT THE WRITTEN PERMISSION OF LANGE LIFT IS PROHIBITED | | DRAWN BY: DMK TITLE: L-124-EP - Specification Sheet SCALE: 1:12 | CHECKED BY: DRAWING NUMBER: L-124-EP REVISION: | |