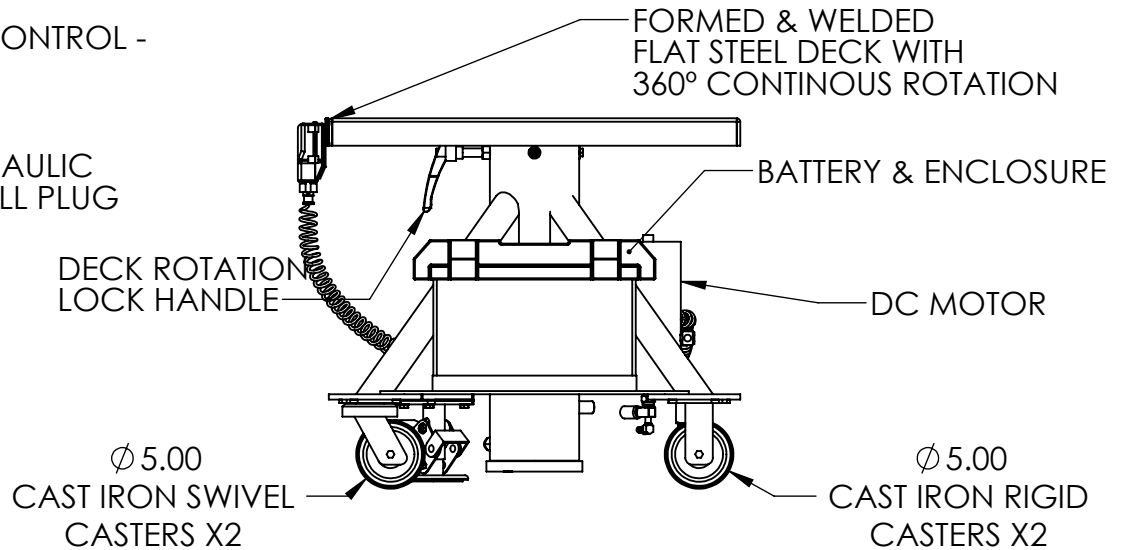
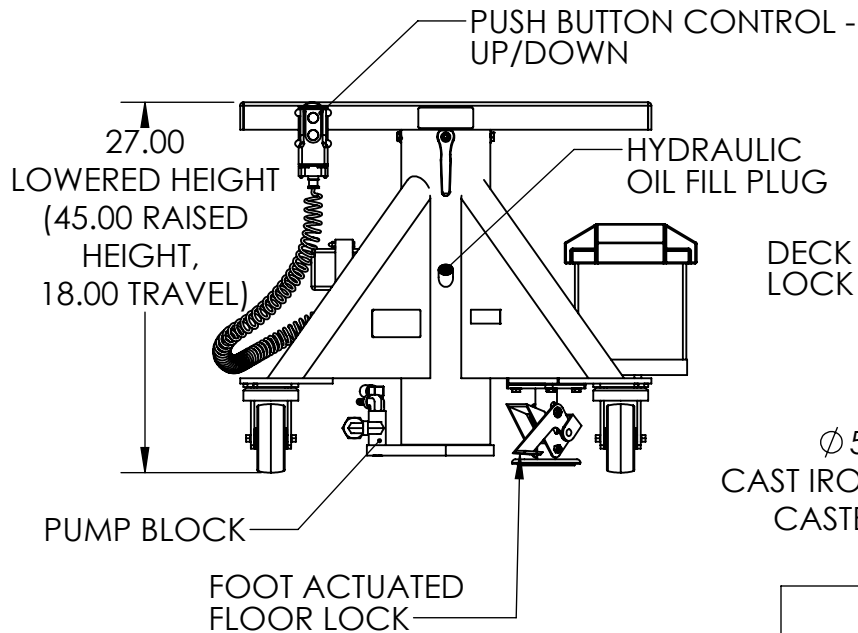



**MODEL:** L-130-BP  
**CAPACITY:** 1,000 Pounds  
**RAISED HEIGHT:** 45.00, **LOWERED HEIGHT:** 27.00, **TRAVEL:** 18.00  
**DECK:** 30" Square, Formed & Welded Flat Steel Deck, 360° Continuous Rotation with Lock Handle  
**BASE:** 30" Square, Formed Steel Legs and Welded Steel Frame. Features 5" Ø Cast Iron Rigid and Swivel Casters and a Foot Actuated Floor Lock.  
**POWER:** 12V Deep Cycle Battery (Enclosed), DC Motor, and On Board Battery Charger  
**CONTROLS:** Push Button Coil Corded Pendant Control – Up/Down  
**PAINT:** Machine Green

Components and locations are subject to change without notice. This is based on, but not limited to, availability, supplier quality, and product improvements



|  |  |   |                             |                          |
|--|--|---|-----------------------------|--------------------------|
|  |  | <br>PRODUCTS THAT LIFT THE WORLD<br>Lange Lift Company<br>a Division of Hevi-Haul International, Ltd.<br>PO Box 580<br>Menomonee Falls, WI 53052-0580<br>Toll Free: +1 800.558.0577<br>P: +1 262.502.0333<br>F: +1 262.502.0260<br>E-Mail: sales@langelift.com |                             | DIMENSIONS ARE IN INCHES |
| SHEET:<br>1 of 1   |  | DRAWN BY:<br>DMK  | CHECKED BY:                 | DATE:<br>9/28/2016       |
| <b>PROPRIETARY AND CONFIDENTIAL</b><br>THE INFORMATION CONTAINED IN THIS DRAWING IS THE SOLE PROPERTY OF LANGE LIFT. ANY REPRODUCTION IN PART OR AS A WHOLE WITHOUT THE WRITTEN PERMISSION OF LANGE LIFT IS PROHIBITED |  | <b>TITLE:</b><br>L-130-BP - Specification Sheet   |                             |                          |
|  |  | SCALE:<br>1:14  | DRAWING NUMBER:<br>L-130-BP | REVISION:                |