

[PRODUCT CATALOG]

PRODUCTS THAT LIFT THE WORLD



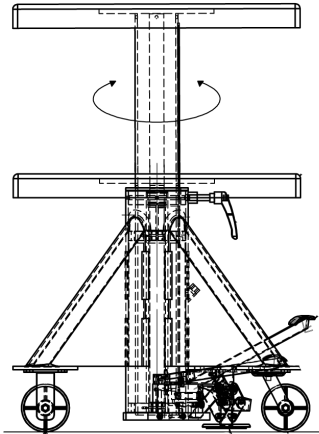
LANGE LIFT COMPANY

LANGE LIFT COMPANY :: [WWW.LANGELIFT.COM](http://WWW.LANGELIFT.COM) :: +1 800.558.0577 :: P. +1 262.502.0333 :: F. +1 262.502.0260 :: [SALES@LANGELIFT.COM](mailto:SALES@LANGELIFT.COM)

PRODUCTS THAT LIFT THE WORLD



# LANGE LIFT MANUAL TABLES



## [ STANDARD FEATURES ]

- Reinforced Formed Steel Deck
- 360° Continuous Deck Rotation with Lock Handle. Locks Deck in Place at Any Height, in Any Position
- Hydraulic Foot Pump, Base Mounted
- Pedals, Up & Down, Base Mounted
- 45" Raised Height
- 27" Lowered Height
- 18" Vertical Travel
- Cast Iron Casters - (2) Rigid, (2) Swivel
- Industrial Strength Floor Lock

## [ OPTIONS ] PARTIAL LIST

- Ball Transfer Deck
- Roller Conveyor Deck
- Round Decks
- Tilting Decks, Manual & Powered
- Powered Raise, Lower
- Powered Rotation
- UHMW or Rubber Deck Covers
- Tooling Slots & Mounting Holes
- Poly on Iron Casters
- Dual Floor Locks

..with Lange Lift your options are truly endless. Have a unique modification? Call us or e-mail us today!

	MODEL	CAPACITY	DECK		MODEL	CAPACITY	DECK
1,000 SERIES	L-124	1,000 lbs.	24" Square	4,000 SERIES	L-424	4,000 lbs.	24" Square
	L-130	1,000 lbs.	30" Square		L-430	4,000 lbs.	30" Square
	L-136	1,000 lbs.	36" Square		L-436	4,000 lbs.	36" Square
	L-148	1,000 lbs.	48" Square		L-448	4,000 lbs.	48" Square
2,000 SERIES	L-224	2,000 lbs.	24" Square	<p>Call Us for Capacities Over 5,000 lbs.                      Limited Stock Available Due to Available Options</p>			
	L-230	2,000 lbs.	30" Square				
	L-236	2,000 lbs.	36" Square				
	L-248	2,000 lbs.	48" Square				
3,000 SERIES	L-324	3,000 lbs.	24" Square				
	L-330	3,000 lbs.	30" Square				
	L-336	3,000 lbs.	36" Square				
	L-348	3,000 lbs.	48" Square				



Whether it's a standard, modified or custom design, our dedicated staff will work closely with you to provide you with high quality products that are built to last in harsh, high cycle environments. We've been manufacturing the most robust lifts in the world since 1934. All of our products are manufactured in the United States of America using high quality raw materials and components. Give Lange Lift a call or e-mail us today, we'd love to create an **upLIFTING** experience for you!



MADE IN THE USA

LANGE LIFT COMPANY :: WWW.LANGLIFT.COM :: +1 800.558.0577 :: P. +1 262.502.0333 :: F. +1 262.502.0260 :: SALES@LANGLIFT.COM

COMPONENTS ARE SUBJECT TO AVAILABILITY AND MAY CHANGE WITHOUT NOTICE . SPECIFICATIONS MAY CHANGE WITHOUT NOTICE.



# LANGE LIFT ELECTRIC POWERED TABLES

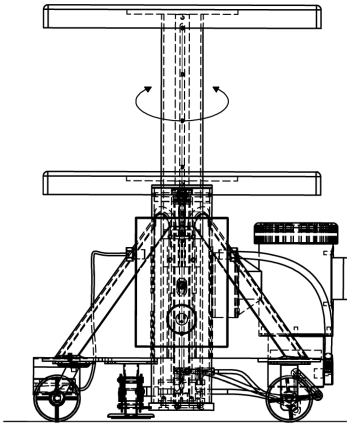
## [STANDARD FEATURES]

- Reinforced Formed Steel Deck
- 360° Continuous Deck Rotation with Lock Handle. Locks Deck in Place at Any Height, in Any Position
- 120 VAC, Single Phase Electric Motor over Hydraulic, Base Mounted
- Foot Pedals, Up & Down, Base Mounted
- 45" Raised Height
- 27" Lowered Height
- 18" Vertical Travel
- Cast Iron Casters - (2) Rigid, (2) Swivel
- Industrial Strength Floor Lock

## [OPTIONS] PARTIAL LIST

- Ball Transfer Deck
- Roller Conveyor Deck
- Round Decks
- Tilting Decks, Manual & Powered
- Powered Rotation
- UHMW or Rubber Deck Covers
- Tooling Slots & Mounting Holes
- Poly on Iron Casters
- Dual Floor Locks

..with Lange Lift your options are truly endless. Have a unique modification? Call us or e-mail us today!



	MODEL	CAPACITY	DECK		MODEL	CAPACITY	DECK
1,000 SERIES	L-124-EP	1,000 lbs.	24" Square	4,000 SERIES	L-424-EP	4,000 lbs.	24" Square
	L-130-EP	1,000 lbs.	30" Square		L-430-EP	4,000 lbs.	30" Square
	L-136-EP	1,000 lbs.	36" Square		L-436-EP	4,000 lbs.	36" Square
	L-148-EP	1,000 lbs.	48" Square		L-448-EP	4,000 lbs.	48" Square
2,000 SERIES	L-224-EP	2,000 lbs.	24" Square	5,000 SERIES	L-524-EP	5,000 lbs.	24" Square
	L-230-EP	2,000 lbs.	30" Square		L-530-EP	5,000 lbs.	30" Square
	L-236-EP	2,000 lbs.	36" Square		L-536-EP	5,000 lbs.	36" Square
	L-248-EP	2,000 lbs.	48" Square		L-548-EP	5,000 lbs.	48" Square
3,000 SERIES	L-324-EP	3,000 lbs.	24" Square				
	L-330-EP	3,000 lbs.	30" Square				
	L-336-EP	3,000 lbs.	36" Square				
	L-348-EP	3,000 lbs.	48" Square				

Call Us for Capacities Over 5,000 lbs.  
Limited Stock Available Due to Available Options



Whether it's a standard, modified or custom design, our dedicated staff will work closely with you to provide you with high quality products that are built to last in harsh, high cycle environments. We've been manufacturing the most robust lifts in the world since 1934. All of our products are manufactured in the United States of America using high quality raw materials and components. Give Lange Lift a call or e-mail us today, we'd love to create an **upLIFTING** experience for you!



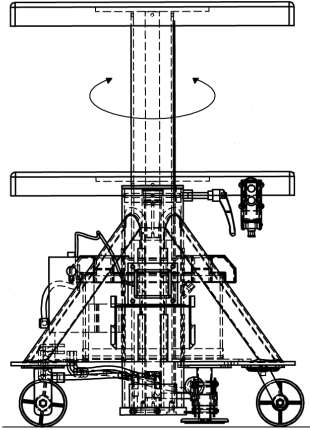
MADE IN THE USA

LANGE LIFT COMPANY :: WWW.LANGLIFT.COM :: +1 800.558.0577 :: P. +1 262.502.0333 :: F. +1 262.502.0260 :: SALES@LANGLIFT.COM

COMPONENTS ARE SUBJECT TO AVAILABILITY AND MAY CHANGE WITHOUT NOTICE . SPECIFICATIONS MAY CHANGE WITHOUT NOTICE.



# LANGE LIFT BATTERY POWERED TABLES



## [STANDARD FEATURES]

- Reinforced Formed Steel Deck
- 360° Continuous Deck Rotation with Lock Handle. Locks Deck in Place at Any Height, in Any Position
- 12V DC Battery Over Hydraulic, Base Mounted
- Battery Charger, Base Mounted
- Handheld Coil Pendant Control, Magnetic
- 45" Raised Height
- 27" Lowered Height
- 18" Vertical Travel
- Cast Iron Casters - (2) Rigid, (2) Swivel
- Industrial Strength Floor Lock

## [OPTIONS] PARTIAL LIST

- Ball Transfer Deck
- Roller Conveyor Deck
- Round Decks
- Tilting Decks, Manual & Powered
- Powered Rotation
- UHMW or Rubber Deck Covers
- Tooling Slots & Mounting Holes
- Poly on Iron Casters
- Dual Floor Locks

..with Lange Lift your options are truly endless. Have a unique modification? Call us or e-mail us today!

	MODEL	CAPACITY	DECK		MODEL	CAPACITY	DECK
1,000 SERIES	L-124-BP	1,000 lbs.	24" Square	4,000 SERIES	L-424-BP	4,000 lbs.	24" Square
	L-130-BP	1,000 lbs.	30" Square		L-430-BP	4,000 lbs.	30" Square
	L-136-BP	1,000 lbs.	36" Square		L-436-BP	4,000 lbs.	36" Square
	L-148-BP	1,000 lbs.	48" Square		L-448-BP	4,000 lbs.	48" Square
2,000 SERIES	L-224-BP	2,000 lbs.	24" Square	5,000 SERIES	L-524-BP	5,000 lbs.	24" Square
	L-230-BP	2,000 lbs.	30" Square		L-530-BP	5,000 lbs.	30" Square
	L-236-BP	2,000 lbs.	36" Square		L-536-BP	5,000 lbs.	36" Square
	L-248-BP	2,000 lbs.	48" Square		L-548-BP	5,000 lbs.	48" Square
3,000 SERIES	L-324-BP	3,000 lbs.	24" Square				
	L-330-BP	3,000 lbs.	30" Square				
	L-336-BP	3,000 lbs.	36" Square				
	L-348-BP	3,000 lbs.	48" Square				

Call Us for Capacities Over 5,000 lbs.  
Limited Stock Available Due to Available Options



Whether it's a standard, modified or custom design, our dedicated staff will work closely with you to provide you with high quality products that are built to last in harsh, high cycle environments. We've been manufacturing the most robust lifts in the world since 1934. All of our products are manufactured in the United States of America using high quality raw materials and components. Give Lange Lift a call or e-mail us today, we'd love to create an **upLIFTING** experience for you!

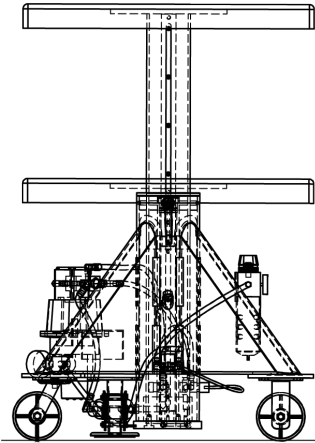


MADE IN THE USA

LANGE LIFT COMPANY :: WWW.LANGELIFT.COM :: +1 800.558.0577 :: P. +1 262.502.0333 :: F. +1 262.502.0260 :: SALES@LANGELIFT.COM



# LANGE LIFT AIR POWERED TABLES



## [ STANDARD FEATURES ]

- Reinforced Formed Steel Deck
- 360° Continuous Deck Rotation with Lock Handle. Locks Deck in Place at Any Height, in Any Position
- 100 psi. Air Motor over Hydraulic, Base Mounted
- Treadle Pedal, Up & Down, Base Mounted
- 45" Raised Height
- 27" Lowered Height
- 18" Vertical Travel
- Cast Iron Casters - (2) Rigid, (2) Swivel
- Industrial Strength Floor Lock

## [ OPTIONS ] PARTIAL LIST

- Ball Transfer Deck
- Roller Conveyor Deck
- Round Decks
- Tilting Decks, Manual & Powered
- Powered Rotation
- UHMW or Rubber Deck Covers
- Tooling Slots & Mounting Holes
- Poly on Iron Casters
- Dual Floor Locks

..with Lange Lift your options are truly endless. Have a unique modification? Call us or e-mail us today!

	MODEL	CAPACITY	DECK		MODEL	CAPACITY	DECK
1,000 SERIES	L-124-AP	1,000 lbs.	24" Square	4,000 SERIES	L-424-AP	4,000 lbs.	24" Square
	L-130-AP	1,000 lbs.	30" Square		L-430-AP	4,000 lbs.	30" Square
	L-136-AP	1,000 lbs.	36" Square		L-436-AP	4,000 lbs.	36" Square
	L-148-AP	1,000 lbs.	48" Square		L-448-AP	4,000 lbs.	48" Square
2,000 SERIES	L-224-AP	2,000 lbs.	24" Square	5,000 SERIES	L-524-AP	5,000 lbs.	24" Square
	L-230-AP	2,000 lbs.	30" Square		L-530-AP	5,000 lbs.	30" Square
	L-236-AP	2,000 lbs.	36" Square		L-536-AP	5,000 lbs.	36" Square
	L-248-AP	2,000 lbs.	48" Square		L-548-AP	5,000 lbs.	48" Square
3,000 SERIES	L-324-AP	3,000 lbs.	24" Square				
	L-330-AP	3,000 lbs.	30" Square				
	L-336-AP	3,000 lbs.	36" Square				
	L-348-AP	3,000 lbs.	48" Square				

Call Us for Capacities Over 5,000 lbs.  
Limited Stock Available Due to Available Options



Whether it's a standard, modified or custom design, our dedicated staff will work closely with you to provide you with high quality products that are built to last in harsh, high cycle environments. We've been manufacturing the most robust lifts in the world since 1934. All of our products are manufactured in the United States of America using high quality raw materials and components. Give Lange Lift a call or e-mail us today, we'd love to create an **upLIFTING** experience for you!



MADE IN THE USA

LANGE LIFT COMPANY :: WWW.LANGLIFT.COM :: +1 800.558.0577 :: P. +1 262.502.0333 :: F. +1 262.502.0260 :: SALES@LANGLIFT.COM



# LANGE LIFT MODIFIED & CUSTOM LIFTS



Serial # 27669



Serial #29193-95



Serial #27699



Serial #27710



Serial #29763

We offer flexibility on all of our industrial lift products to meet the unique needs of your application. Whether it's a modified version of a standard lift table or a completely custom lift, our experienced engineering and sales staff will work with you through all phases of development. We use the latest in 3D CAD software to bring our designs to life prior to production. Modifications include, but are not limited to - Tooling Slots, Poly on Iron Casters, Ball Transfer Decks, Roller Conveyor Decks, Rubber Coated Decks, Ultra-High-Molecular-Weight-Polyethylene (UHMW) Coated Decks, Tilting Decks, Telescoping Lifts, and Non-Rotating Decks. Beyond our hydraulic lift tables we also manufacture custom Scissors Lifts, Pallet Inverters, Turntables, Tippers, Upenders, and Box Dumpers.



Serial #27720-21



Serial #28025



Serial #28336

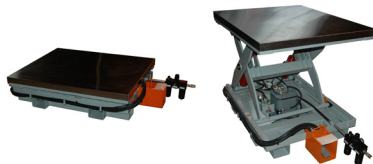


Serial #28521



Serial #29133-34

## Scissors Lifts



Serial #29311-12



Serial #29085    Serial #25002-05

## Tipsters



Serial #27803

## Tilters & Upenders



Serial #28956

Serial #29733

## Turntables



Serial #28036-37

These lifts are just a small example of the custom and modified material handling solutions we've manufactured for our customers since the founder of our company, Tony Lange, started Lange Lift in 1934. We are committed to building high quality products that are built to last in harsh, high cycle environments. All of our products are manufactured in the United States of America using high quality raw materials and components. Give Lange Lift a call or e-mail us today, we'd love to create an **upLIFTING** experience for you!



MADE IN THE USA



LANGE LIFT COMPANY :: [WWW.LANGLIFT.COM](http://WWW.LANGLIFT.COM) :: +1 800.558.0577 :: P. +1 262.502.0333 :: F. +1 262.502.0260 :: [SALES@LANGLIFT.COM](mailto:SALES@LANGLIFT.COM)

## WARRANTY TERMS

Lange Lift warrants its products to be free of defects in materials or workmanship. Lange Lift makes no other warranties, expressed or implied, including no warranties of fitness for a particular purpose. Lange Lift's obligations under this warranty shall be limited to repair or replacement of the products in question or, at its sole option, refund of the purchase price. Lange Lift disclaims any liability for incidental or consequential damages, including liability for lost profits. This warranty shall be voided by any misuse or abuse of the product, or upon any modification of the products without written authorization. Any claims under this warranty must be made, in writing within one year from date of delivery to the customer. Lange Lift acceptance of any purchase order is conditioned upon customer's agreement to these warranty terms. No modification of these terms shall be effective against Lange Lift unless in writing and signed by an authorized representative of Lange Lift.