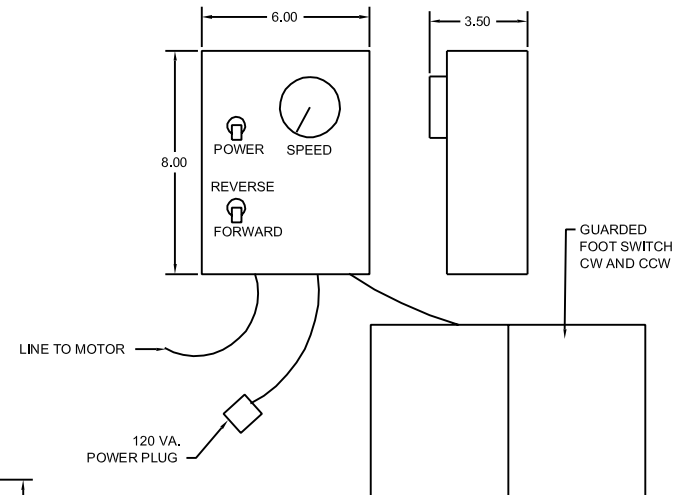
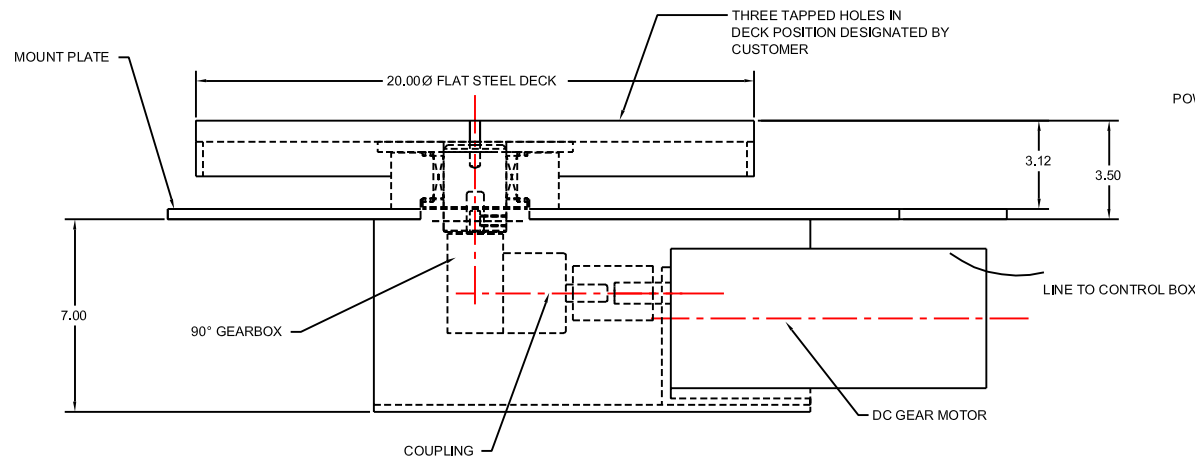
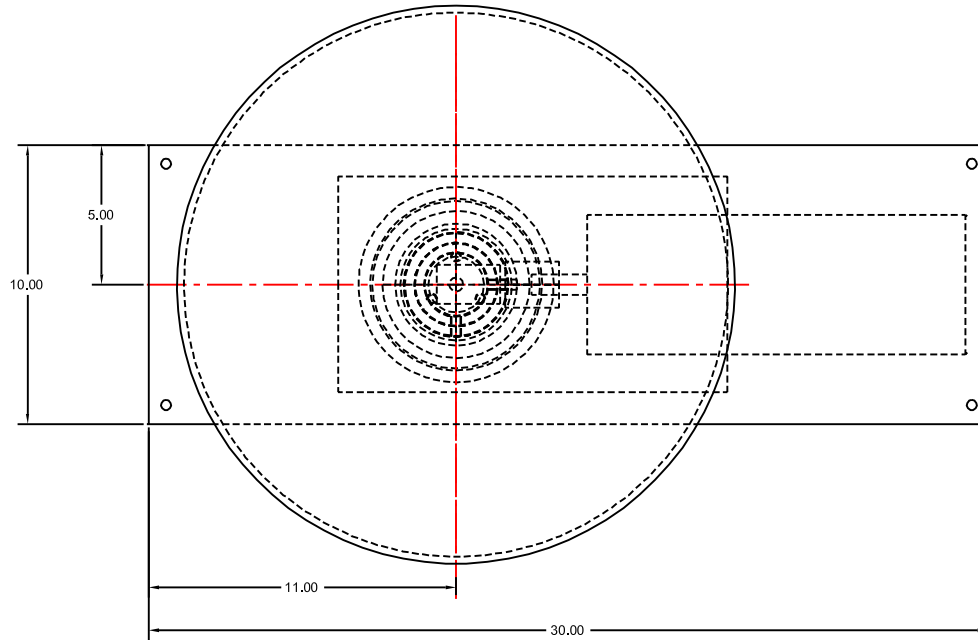



POWERED TURNTABLE
 20"Ø DECK FLAT STEEL
 CAPACITY: 500 POUNDS
 DECK FULL 360° ROTATION
 POWER: 120 VAC TO CONTROL BOX
 CONTROLLER 10 RPM MAX SPEED
 POTENTIOMETER REVERSING
 MOUNT PLATE: 10" X 27"

CONTROL: BI-DIRECTIONAL FOOT SWITCH ON
 PENDANT FROM CONTROL BOX



 <p>HEAVY-DUTY INTERNATIONAL, LTD. PRODUCTS THAT MOVE & LIFT THE WORLD</p>	<p>Menomonee Falls Wisconsin U.S.A. 800-558-0577</p>
	<p>DRAWN BY: J.P. WARREN</p>
<p>CHECKED BY: _____ DATE: _____</p>	<p>SCALE: 1/2</p>
<p>PART NO: _____</p>	<p>TITLE: 500# POWERED TURNTABLE ASSEMBLY</p>
<p>REV. _____ DATE: _____</p>	<p>DWG. NO: SN 22809-12</p>