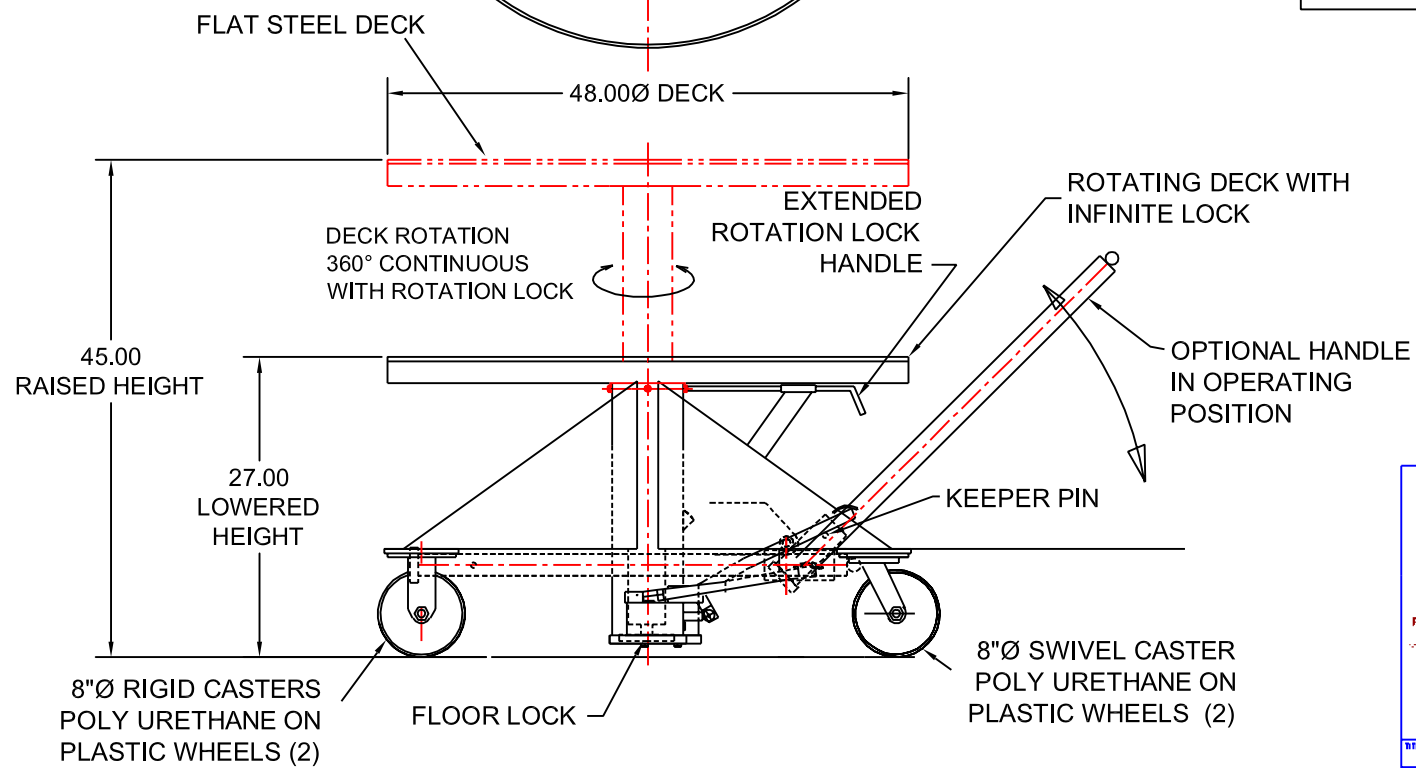


- HANDLE OPERATION
1. REMOVE KEEPER PIN
 2. SLIDE HANDLE FROM STOWED POSITION.
 3. REPLACE KEEPER PIN.
 4. TILT UP HANDLE TO OPERATING POSITION.
- REVERSE TO STOW HANDLE.

**L-336 MODIFIED
ELEVATING LIFT TABLE
CAPACITY: 3,000 lb.
DECK: 48" DIA..**



	Memomonee Falls Wisconsin U.S.A. 800-558-0577	
	<small>DRAWN BY:</small> J.P.WARREN	<small>CHECKED BY:</small> DATE:
<small>SCALE:</small> 1/8	<small>PART NO.:</small>	
<small>TITLE:</small> SPECIAL L-336 MODIFIED WITH 48" Ø DECK & OPT. TOW HANDLE		
<small>REV.</small>	<small>DATE.</small>	<small>OWG. NO.:</small> S/N 22702