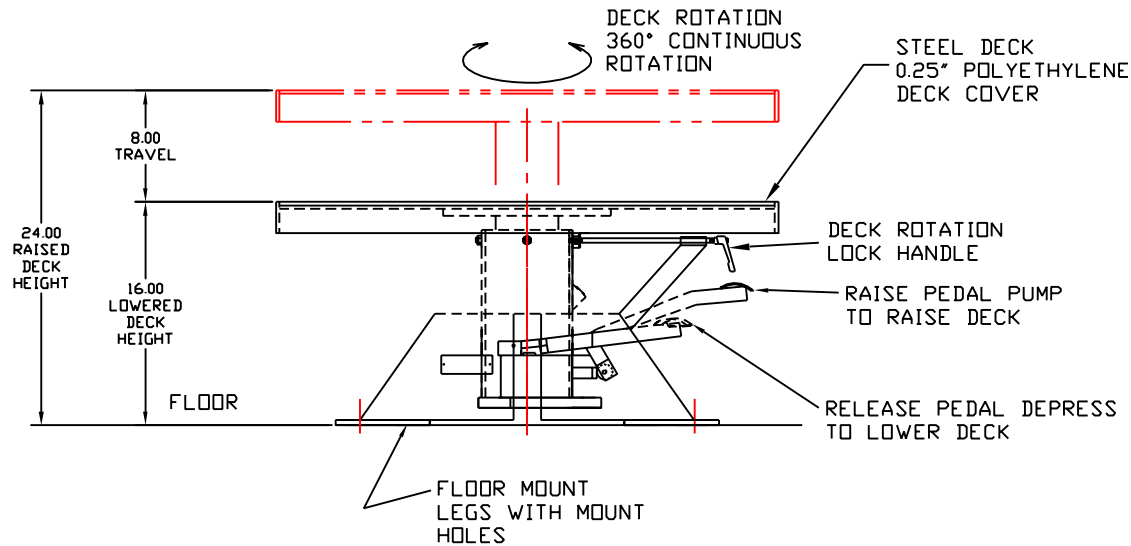


ELEVATING LIFT TABLE

MODEL: L-130 MODIFIED
CAPACITY: 1000 POUNDS
POWER: MANUAL FOOT PUMP
DECK: 36" DIAMETER
STEEL DECK
0.25 POLYETHYLENE COVER
BASE: 27.5" SQUARE FLOOR MOUNT
SPECIAL HEIGHT

COLOR: DARK BLUE (CUSTOM)



	Menomonee Falls Wisconsin U.S.A. 800-558-0577	
	DRAWN BY: JP WARREN CHECKED BY: DATE:	SCALE: 1/4 PART NO:
TITLE: L-130 MODIFIED		
REV. DATE:	DWG. NO: S/N 22550	