

WASH DOWN MOTOR
AND HYDRAULIC VALVE
ON 120 VAC HYDRAULIC
POWER UNIT

36.0" x 48.0"
1.5" THICK
STEEL PLATE
DECK

27.50"
SQUARE
BASE FLOOR
MOUNT
UNDER DECK

48.0" DECK LENGTH

SUPPORT LEGS
UNDER DECK
IN ALL POSITIONS

FOOT PEDAL SWITCH
WATERTIGHT NEMA 4
WITH GUARD
ON 8 FT. PENDANT

NEMA 4
ELECTRIC JUNCTION BOX
AND FOOT SWITCH ON
PENDANT TO CONTROL
(8' PENDANT)

DECK ROTATION
360° CONTINUOUS
WITH ROTATION LOCK

ELEVATING LIFT TABLE

MODEL: L-10048 SPECIAL LIFT

CAPACITY: 10,000 POUNDS

POWER: 120 VAC HYDRAULIC PUMP

BASE: 27.5" SQUARE

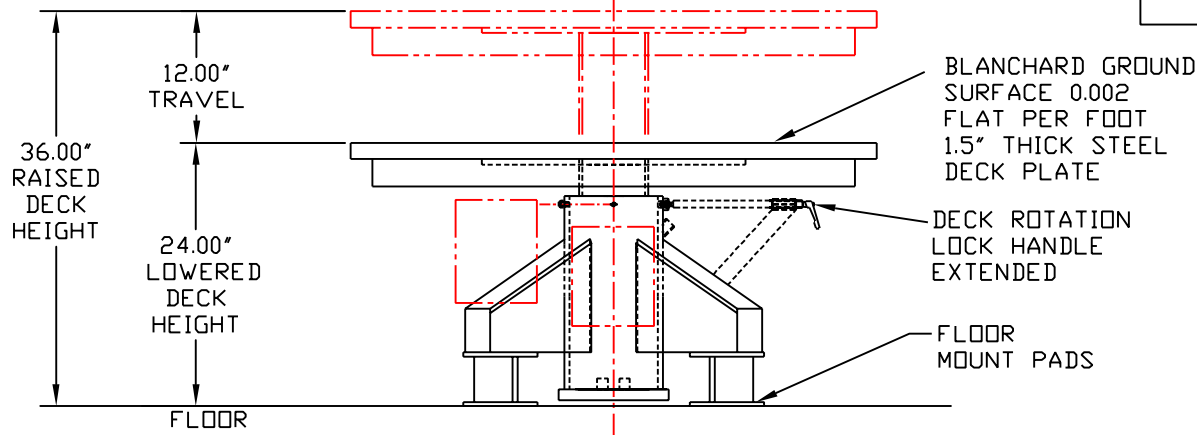
FLOOR MOUNT

DECK: 36" x 48" 1.5" THICK PLATE

GROUND FLAT

**CONTROL: WATERTIGHT GUARDED FOOT
SWITCH ON PENDANT**

COLOR: SAFETY YELLOW



| | | |
|------|--|---------------------|
| | Menomonee Falls Wisconsin U.S.A. 800-558-0577 | |
| | DRAWN BY: WARREN | CHECKED BY: DATE: |
| | SCALE: 1/8 | PART NO.: |
| | TITLE: L-10048 SPECIAL LIFT | |
| REV. | DATE | DWG. NO.: S/N 22537 |