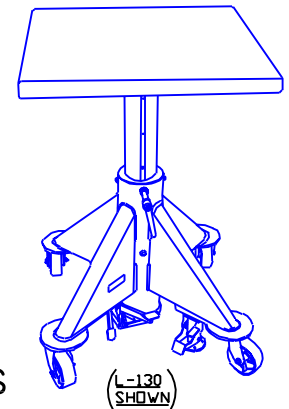


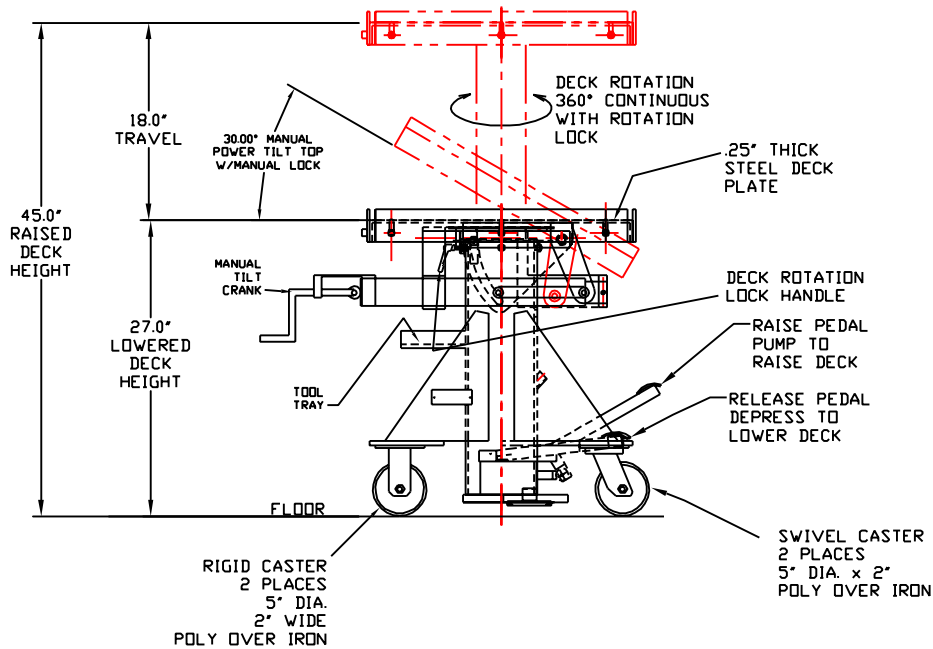
TOOLING  
SLOTS  
3 PLACES  
SEE  
PAGE 2/2  
FOR DETAILS

**ELEVATING LIFT TABLE**

**MODEL: L-124 SPECIAL**  
**CAPACITY: 1000 POUNDS**  
**POWER: MANUAL FOOT PUMP**  
**DECK AND BASE: 24" SQUARE**  
**DECK WITH SLOTS**  
**DECK MANUAL TILT 30°**  
**SEE PAGE 2/2 FOR DECK DETAILS**



**COLOR: MACHINE GRAY**



**ADDED TOOLING SUPPLIED WITH LIFT:**

- 3 SPACER BLOCKS THREADED
- 3 DE-STA-CO MANUAL CLAMPS OR EQUIV.
- 3 DE-STA-CO ADJUSTABLE SPINDLES OR EQUIV.
- 3 WASHERS
- 3 CL-4-CP TEE BOLTS OR EQUIV.

	<b>Menomonee Falls</b> <b>Wisconsin U.S.A.</b> <b>800-558-0577</b>
	<small>DRAWN BY: J.P. WARREN</small> <small>CHECKED BY: DATE:</small> <small>SCALE: 1/6</small> <small>PART NO:</small>
<b>TITLE: L-124 SPECIAL WITH 30° TILT DECK</b> <small>REV. DATE. DWG. NO. S/N 21916-19</small>	