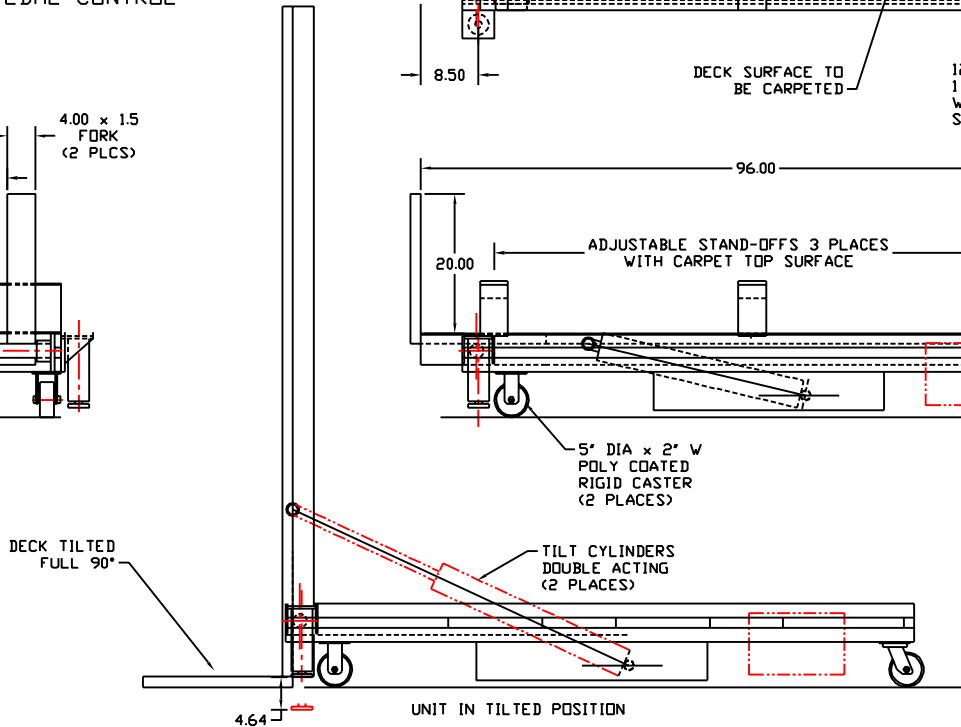
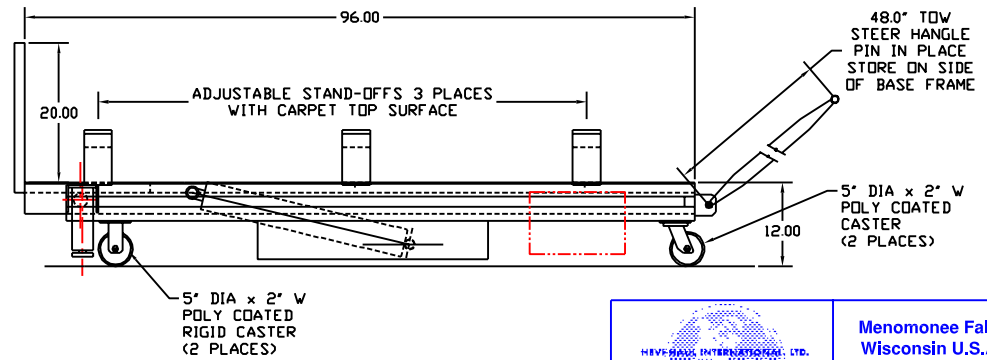
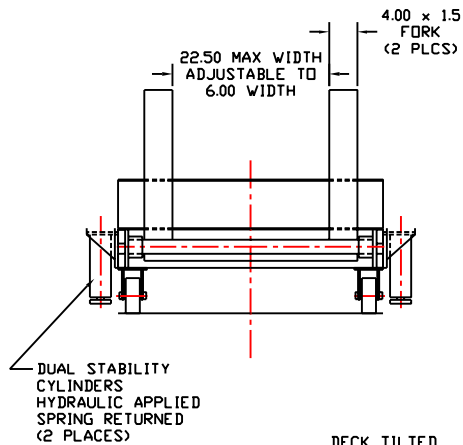
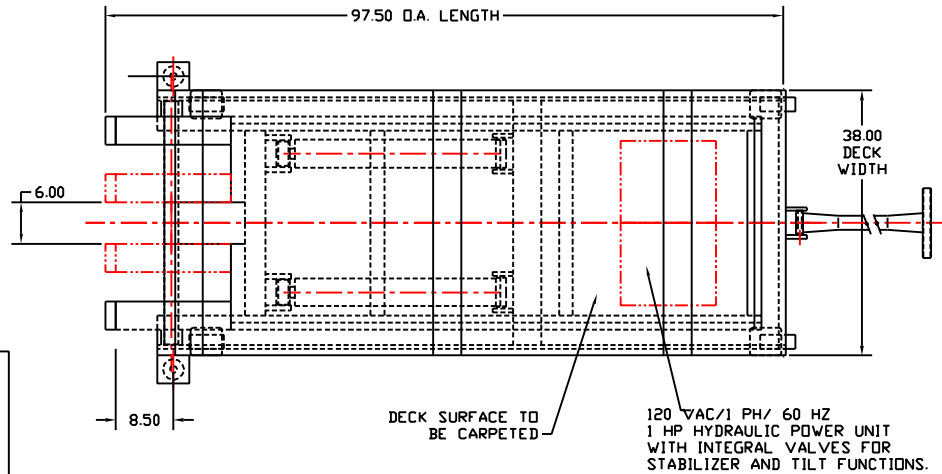


LARGE LIFT 3000# 90° TILTER

DECK: 96" x 38" @ 12" HEIGHT
 (WITH ADJUSTABLE STAND-OFFS
 THREE PLACES WITH CARPETED SURFACE)
 BASE: 90" x 38" CASTER SUPPORTED
 DECK TILT: 90° FROM HORIZONTAL

POWER: 1 HP 120 VAC
 HYDRAULIC POWER UNIT
 CONTROLS: FOOT PEDAL CONTROLS
 ON 10" PENDANT
 FLOOR LOCKS/STABILIZERS: 2 WITH
 CONTROL ON FOOT PEDAL CONTROL



	Memonee Falls Wisconsin U.S.A. 800-558-0577	
	DRAWN BY: J.P. WARREN	CHECKED BY: DATE:
SCALE: 1/8	PART NO.:	
TITLE: 3000# 90° TILTER ON CASTERS		
REV. NO.:	DATE:	DRG. NO.: S/N 21764