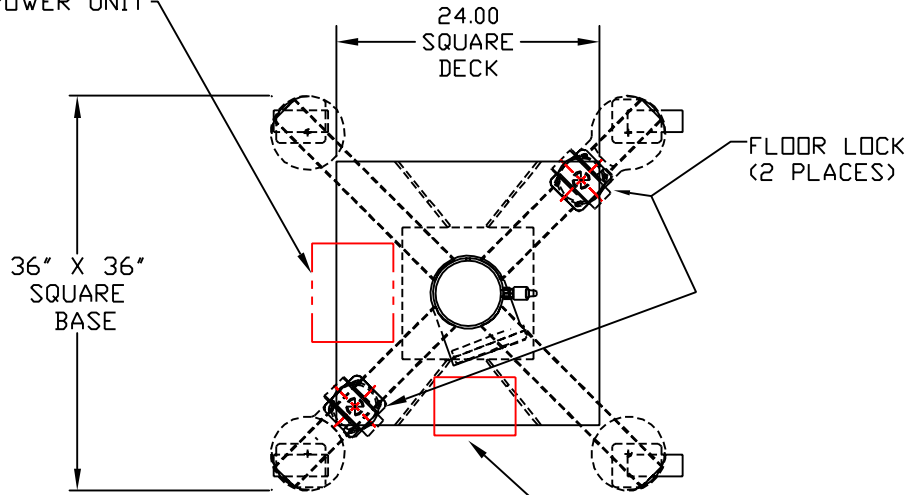


HYDRAULIC  
POWER UNIT



## ELEVATING LIFT TABLE

MODEL: L-10036

CAPACITY: 10,000 POUNDS

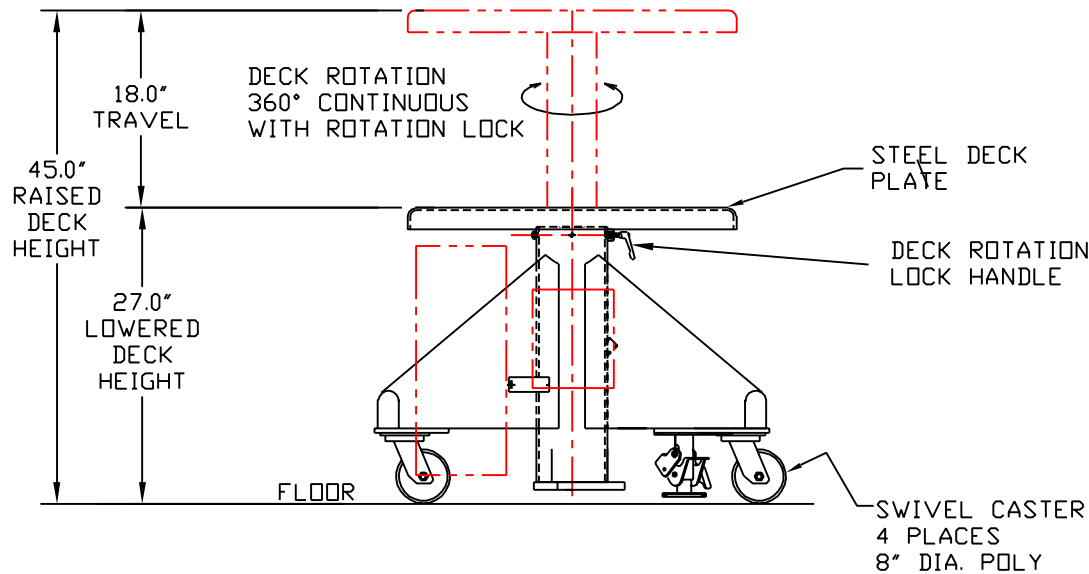
POWER: 120 VAC HYDRAULIC PUMP

BASE: 36" SQUARE

DECK: 24" SQUARE

CONTROL: PUSH-BUTTON PENDANT

COLOR: MACHINE GRAY



MENOMONEE FALLS, WISCONSIN U.S.A.

PHONE: 800-558-0577

262-502-0333

FAX: 262-502-0260

WEBSITE: WWW.LANGLIFT.COM

THIS DRAWING IS THE PROPERTY OF HEVI-HAUL INTERNATIONAL, LTD. ALL THE INFORMATION THEREON IS CONFIDENTIAL AND MUST NOT BE MADE PUBLIC, NOR COPIED, NOR USED TO THE DISADVANTAGE OF HEVI-HAUL INTERNATIONAL, LTD., AND IS SUBJECT TO RETURN ON DEMAND.

|                             |                  |                    |       |
|-----------------------------|------------------|--------------------|-------|
| TITLE: L-10036 SPECIAL LIFT |                  | PART NO.:          |       |
| SCALE: 1/4                  | DRAWN BY: WARREN | CHECKED BY:        | DATE: |
| REV:                        | DATE:            | DWG. NO. S/N 21341 |       |