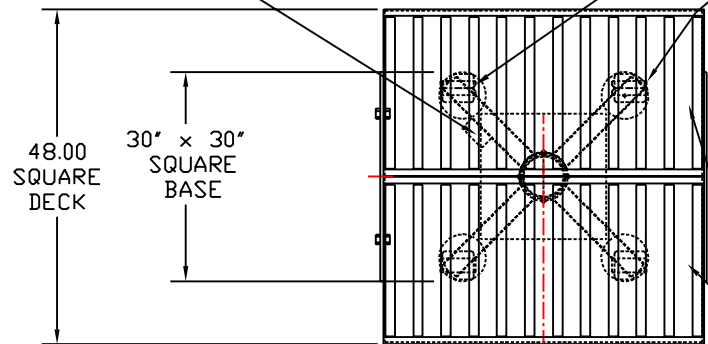


AIR CONNECTIONS FOR RAISE AND LOWER

RIGID V-GROOVE CASTER  
2 PLACES  
5" DIA. x 2" WIDE  
CAST IRON

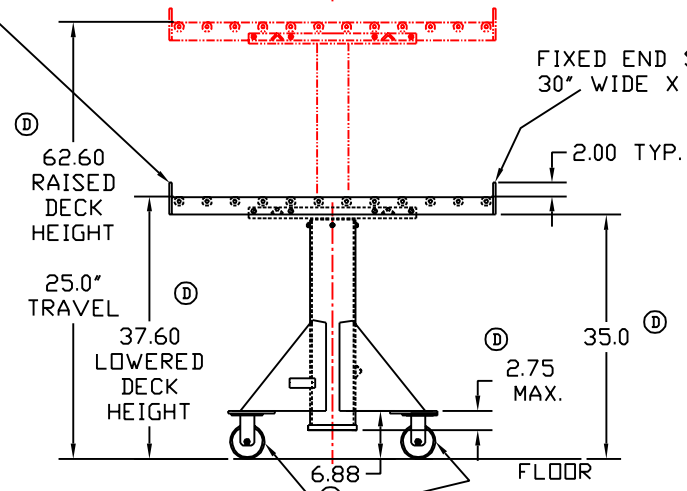
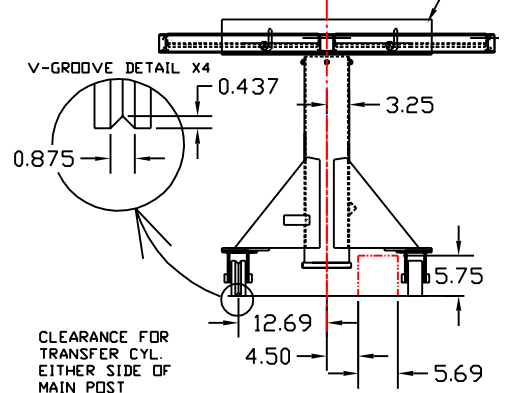


ELEVATING LIFT TABLE  
MODEL: L-130 SPECIAL  
CAPACITY: 200 POUNDS  
POWER: PNEUMATIC  
DECK: 48" SQUARE  
W/ ROLLER CONVEYOR  
BASE: 30" SQUARE  
WITH V-GROOVE AND PLAIN  
RIGID CASTERS

DUAL ROLLER CONVEYOR  
1.38Ø ROLLER ON  
4" CENTERS

MANUAL LIFT  
IN PLACE  
END STOP  
30" WIDE X 2" HIGH

FIXED END STOP  
30" WIDE X 2" HEIGHT



RIGID CASTER  
2 PLACES  
5" DIA. x 2" WIDE  
CAST IRON

POWER: FULL PNEUMATIC  
80 PSI AIR SUPPLY  
CUSTOMER TO  
PROVIDE CONTROLS  
EST. WT.: 400 POUNDS  
COLOR: SAFETY YELLOW

	<b>Menomonee Falls Wisconsin U.S.A.</b> <b>800-558-0577</b>	
	DRAWN BY: J.P. WARREN CHECKED BY: _____ DATE: _____	SCALE: 1/8 PART NO: _____
TITLE: L-130 SPECIAL LIFT TABLE		
REV. _____ DATE: _____	DRG. NO: S/N 21220	