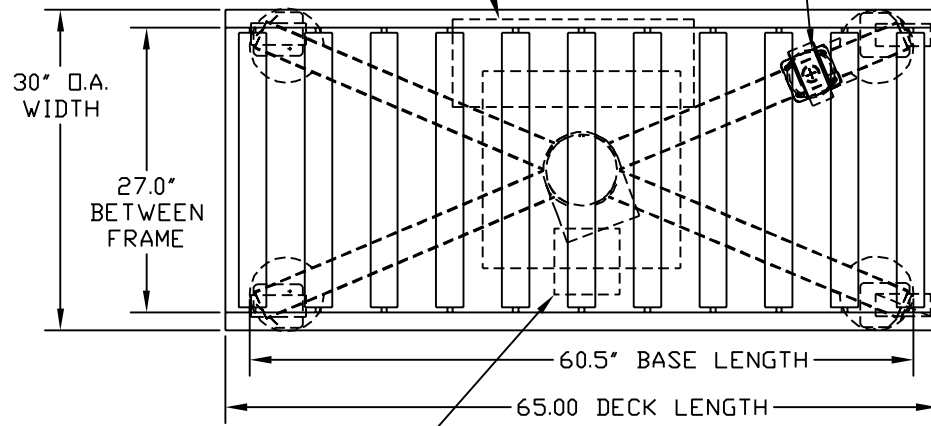


HYDRAULIC POWER  
UNIT FOR UNIT  
LIFT AND LOWER  
120 VAC/ 1 PH/ 60 HZ

FLOOR LOCK



## ELEVATING LIFT TABLE

MODEL: L-148 SPECIAL

SPECIAL HEIGHT

CAPACITY: 1000 POUNDS

POWER: 120 VAC

HYDRAULIC POWER UNIT

CONTROL: PUSH-BUTTON PENDANT

DECK: ROLLER CONVEYORS

BASE: 30" x 60.5" ON CASTER

WITH FLOOR LOCK

COLOR: MACHINE GRAY

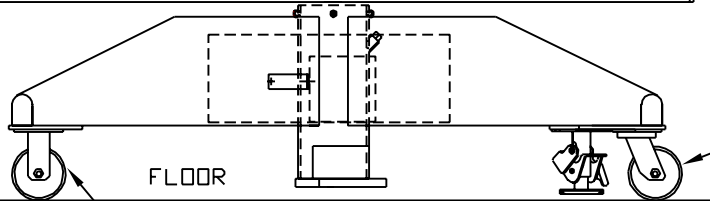
ELECTRICAL BOX  
WITH PLUG IN RECEPTACLE  
CONTROL PUSH-BUTTON  
ON 10' PENDANT

ROLLER CONVEYOR DECK  
ROLLERS SET HIGH

36.00  
RAISED  
HEIGHT  
(14.0"  
TRAVEL)

22.00  
LOWERED  
HEIGHT

LIFT IN PLACE  
END STOPS  
(BOTH ENDS OF  
CONVEYOR)



RIGID CASTER  
2 PLACES  
5" DIA.  
x 2" WIDE  
CAST IRON

SWIVEL CASTER  
2 PLACES  
5" DIA. x 2"  
CAST IRON



MENOMONEE FALLS, WISCONSIN U.S.A.  
PHONE: 800-558-0577  
262-502-0333  
FAX: 262-502-0260  
WEBSITE: WWW.LANGLIFT.COM

THIS DRAWING IS THE PROPERTY OF HEVI-HAUL INTERNATIONAL, LTD. ALL THE INFORMATION THEREON IS CONFIDENTIAL AND MUST NOT BE MADE PUBLIC, NOR COPIED, NOR USED TO THE DISADVANTAGE OF HEVI-HAUL INTERNATIONAL, LTD., AND IS SUBJECT TO RETURN ON DEMAND.

FILE: L-148 SPECIAL TABLE	PART NO:
SCALE: 1/4	DRAWN BY: J.P. WARREN
REV:	CHECKED BY: DATE:
DATE:	DOC. NO.: S/N 21017