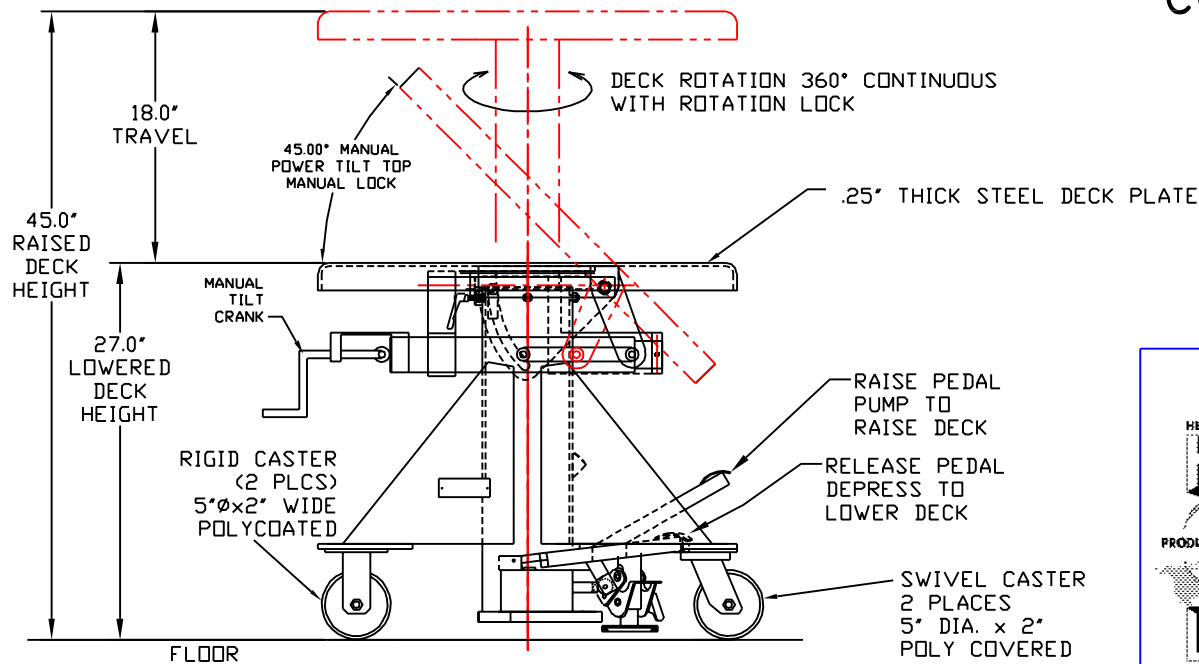


ELEVATING LIFT TABLE
MODEL: L-130 SPECIAL
CAPACITY: 1000 POUNDS
POWER: MANUAL FOOT PUMP
BASE: 30" SQUARE
DECK: 30" SQUARE

COLOR: MACHINE GRAY



MENOMONEE FALLS, WISCONSIN U.S.A.
 PHONE: 800-558-0577
 262-502-0333
 Fax: 262-502-0260
 WEB SITE: WWW.LANGLIFT.COM

THIS DRAWING IS THE PROPERTY OF HEVI-HAUL INTERNATIONAL, LTD. ALL THE INFORMATION THEREON IS CONFIDENTIAL AND MUST NOT BE MADE PUBLIC, NOR COPIED, NOR USED TO THE DISADVANTAGE OF HEVI-HAUL INTERNATIONAL, LTD., AND IS SUBJECT TO RETURN ON DEMAND.

TITLE: L-130 SPECIAL		PART NO.:	
SCALE: 1/4	DRAWN BY: J.P. WARREN	CHECKED BY:	DATE:
REV.	DATE:	DWG. NO. S/N 21015	