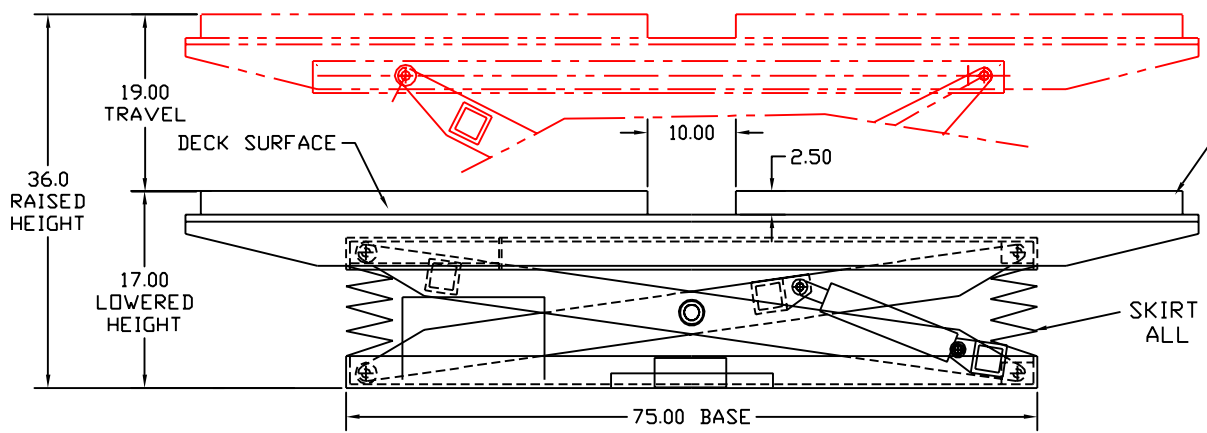




48"Ø DECK
TURNTABLE
CONTINUOUS
ROTATION
(NOT POWERED)
RAISED 2.5"
ABOVE SURFACE

SPECIFICATIONS:

MODEL: X-1000 SPECIAL
CAPACITY: 1000#
DECK: SPECIAL SEE DETAIL
BASE: 75" x 30"
RAISED HT.: 36"
LOWERED HT.: 17"
TRAVEL: 19"
POWER: 120 VAC
CONTROLS: FOOT PEDALS



TURNABLES & DECK SURFACE
WHITE LAMINANT
OVER WOOD BASE
SUPPORTED ON STEEL
FRAME AND TURNABLES.

 <p>HEYLIFT INTERNATIONAL LTD. PRODUCTS THAT MOVE & LIFT THE WORLD</p>  <p>A DIVISION OF HEYLIFT INTERNATIONAL, LTD.</p>	<p>Menomonee Falls Wisconsin U.S.A. 800-558-0577</p>
	<p>DRAWN BY: J.P. WARREN CHECKED BY: DATE: SCALE: PART NO.:</p>
<p>TITLE: SPECIAL X-1000 SCISSORS LIFT</p>	
<p>REV. DATE. DWG. NO. SN 20809</p>	