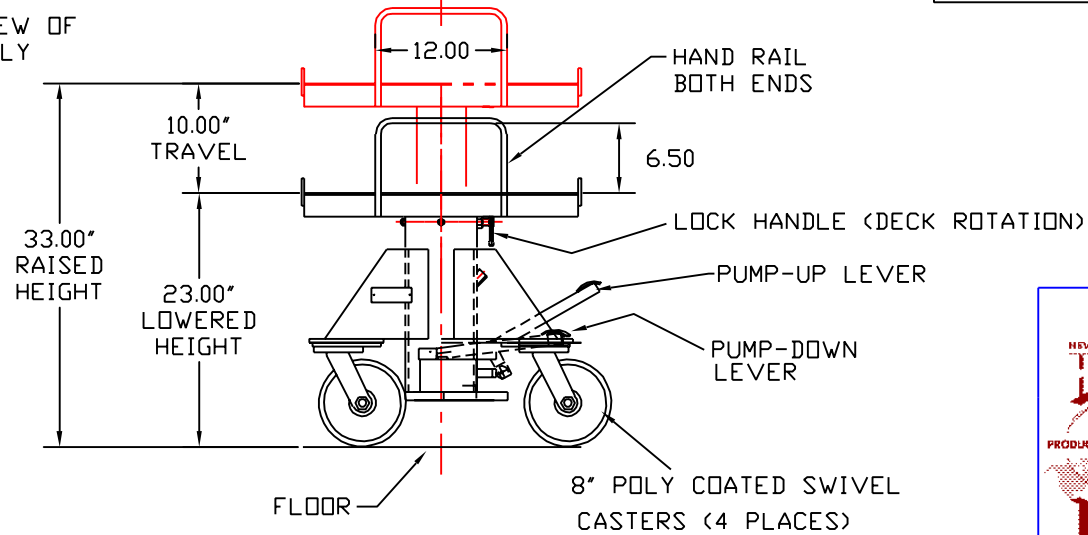


SPECIFICATIONS:
 MODEL: L124 SPECIAL
 CAPACITY: 500 POUNDS

BASE: 24" x 24"
 DECK: 64" x 25"
 WORKING HEIGHTS:
 LOWERED HT.: 23"
 RAISED HT.: 33"
 TRAVEL: 10"
 ROTATING DECK
 W/MANUAL LOCK
 8" POLY COATED
 SWIVEL CASTERS
 POWER: MANUAL FOOT PUMP

SIDE VIEW OF DECK ONLY



	Menomonee Falls Wisconsin U.S.A. 800-558-0577
	DRAWN BY: J.P. WARREN CHECKED BY: _____ DATE: _____ SCALE: 1/8 PART NO: _____
TITLE: L124 SPECIAL ELEVATING LIFT TABLE REV. _____ DATE _____ DWG. NO: S/N 20777	