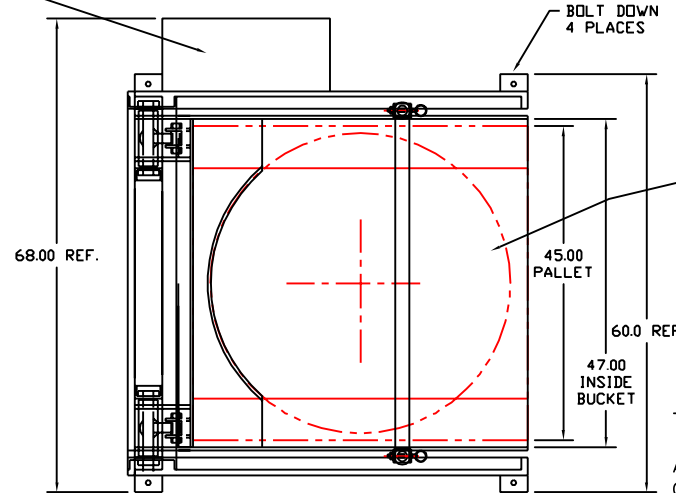


HYDRAULIC POWER UNIT
 120 VAC WITH ELECTRIC
 JUNCTION BOX WITH POWER
 PLUG IN AND PENDANT
 CONTROL WITH PUSH BUTTONS
 OR FOOT PEDAL
 WITH LOCKOUT KEY SWITCH
 FOR SAFE UNLOADING OF DRUM



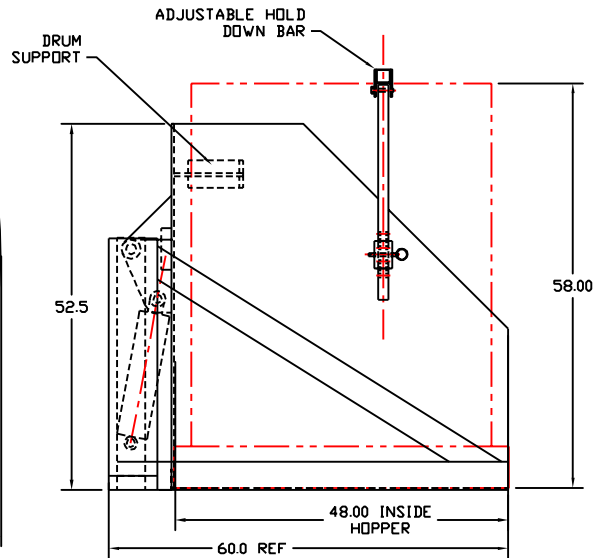
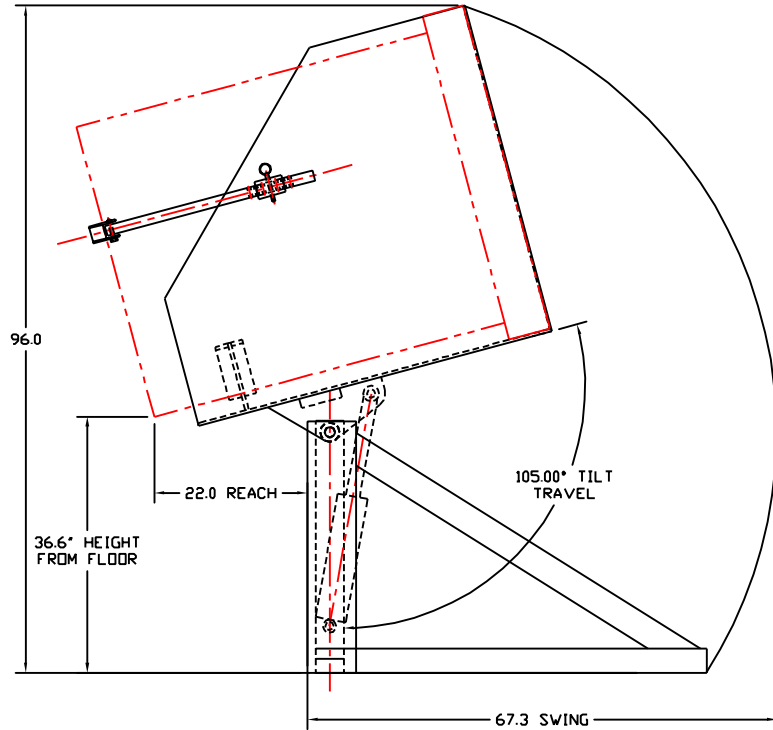
DRUM PALLET UNIT
 4,500 POUNDS



TIPPER

ANGLE OF TILT: 105°
 CAPACITY: 4,200 POUNDS

POWER: 120 VAC

CONTROL: PENDANT
 PUSH BUTTON OR FOOT SWITCH
 WITH KEY LOCK OUT SWITCH FOR
 SECURING LIFT IN TIPPED POSITION
 FOR DRUM CLEAN OUT



 <p>HEVE-MAX INTERNATIONAL, LTD. HEVE-MAX PRODUCTS THAT MOVE & LIFT THE WORLD</p>  <p>LANG-EM A DIVISION OF HEVE-MAX INTERNATIONAL, LTD.</p>	<p>Menomonee Falls Wisconsin U.S.A. 800-558-0577</p>	
	<p>DRAWN BY: J.P. WARREN CHECKED BY: DATE: SCALE: 1/8 PART NO.:</p>	
<p>TITLE: 4.5 K DRUM TIPSTER</p>		
REV.	DATE.	DWG. NO.:
		S/N 20621