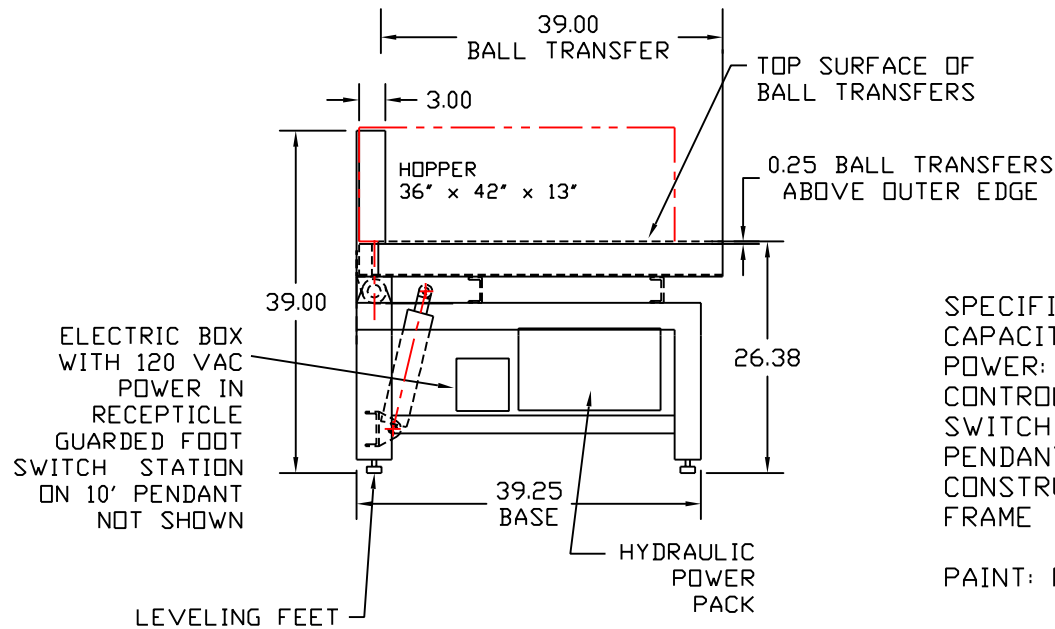


UP POSITION



SPECIFICATIONS:
 CAPACITY: 700 lbs.
 POWER: 120VAC/1PH/60HZ
 CONTROL: GUARDED FOOT SWITCH 6 FOOT PENDANT
 CONSTRUCTION: STEEL FRAME

PAINT: RAL 5012 BLUE

	Menomonee Falls Wisconsin U.S.A. 800-558-0577
	DRAWN BY: JP.WARREN CHECKED BY: DATE: SCALE: 1/10 PART NO:
TITLE: TIPPER 700#	
REV. DATE	DWG. NO: S/N 17914