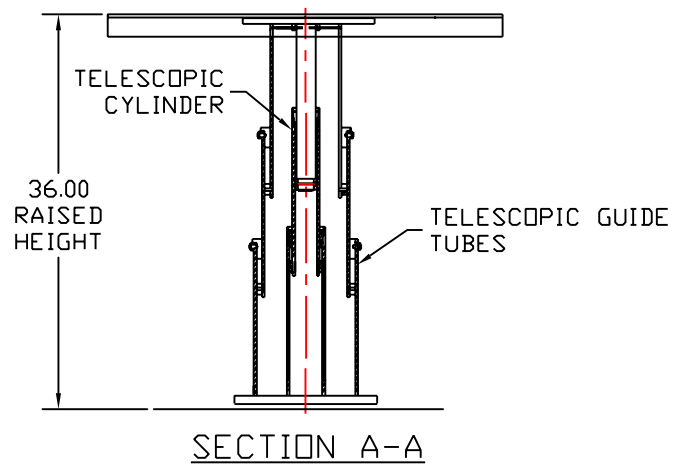


SPECIFICATIONS:
 MODEL L348 SPECIAL
 CAPACITY: 3000 POUNDS
 DECK: ROLLER CONVEYORS 56 x 48
 WITH LIFT IN PLACE END STOPS
 LOW LIFT REST PADS
 BASE: 48" SQUARE

POWER: 120 VAC HYDRAULIC POWER UNIT
 PUSH BUTTON PENDANT CONTROL



 HEV-HAUL PRODUCTS THAT MOVE & LIFT THE WORLD LANGE-UTZ A DIVISION OF HEV-HAUL INTERNATIONAL, LTD.	Menomonee Falls Wisconsin U.S.A. 800-558-0577
	DRAWN BY: J.P. WARREN CHECKED BY: DATE: SCALE: NTS PART NO:
TITLE: SPECIAL L-348 TELESCOPIC & ROLLER DECK REV. DATE DWG. NO.: S/N 17911	