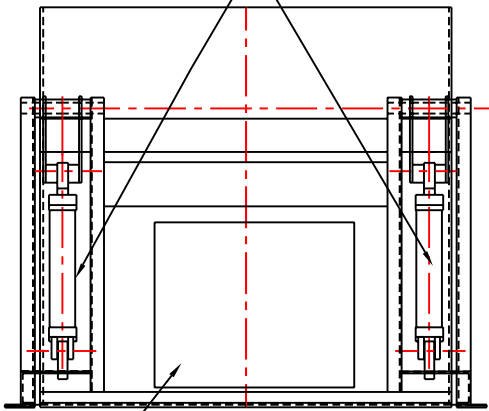
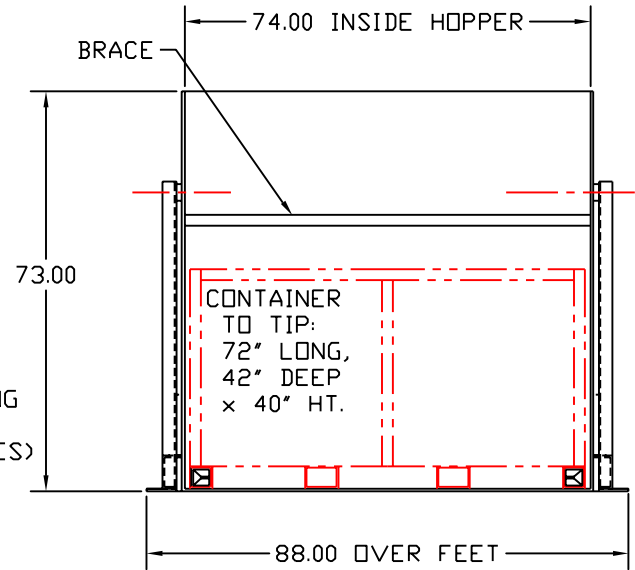
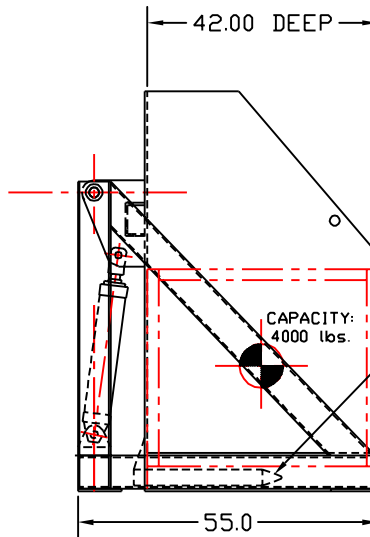


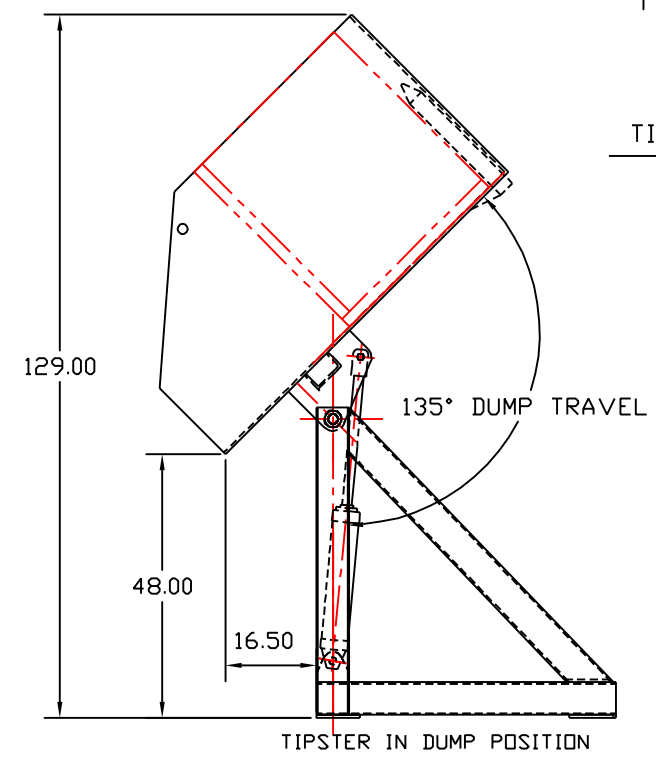
HYDRAULIC CYLINDERS  
DOUBLE ACTING



HYDRAULIC UNIT  
5 HP MOTOR 460 VAC/3 PH/60 HZ  
PUMP, MOTOR, RESERVOIR  
& CONTROLS  
ELECTRICAL JUNCTION/ MOTOR CONTROL BOX  
UP & DOWN TRAVEL LIMIT SWITCHES  
CONTROL:  
CONTROLS TO BE PROVIDED BY CUSTOMER



TIPSTER 4000 lbs. CAPACITY



|                   |  |                    |
|-------------------|--|--------------------|
|                   | <b>Menomonee Falls</b><br><b>Wisconsin U.S.A.</b><br><b>800-558-0577</b> |                    |
|                   | DRAWN BY: J.P. WARREN  | DATE:              |
|                   | CHECKED BY:  | DATE:              |
|                   | SCALE: 1/16  | PART NO:           |
| TITLE: TIPSTER 4K |  |                    |
| REV.              | DATE   | DWG. NO: S/N 17882 |