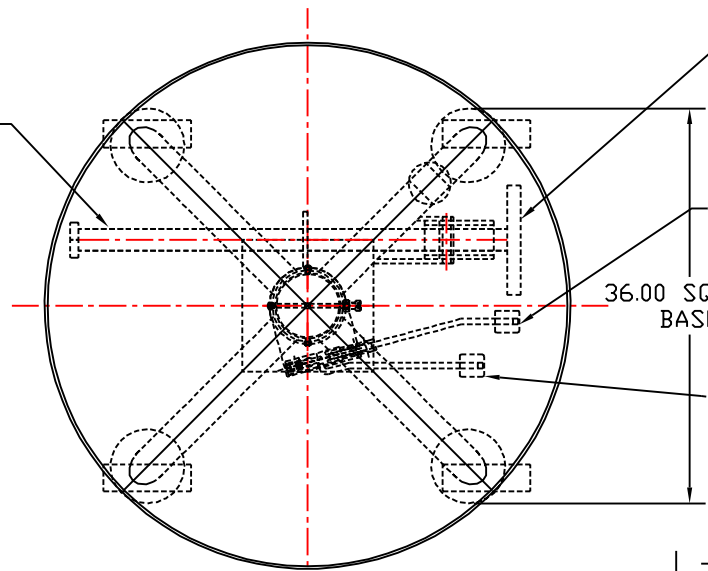


HANDLE IN STOWED POSITION



HANDLE OPERATION

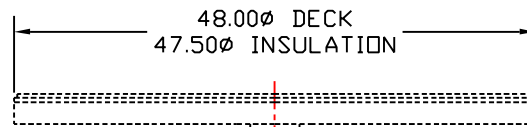
1. REMOVE KEEPER PIN
 2. SLIDE HANDLE FROM STOWED POSITION.
 3. REPLACE KEEPER PIN.
 4. TILT UP HANDLE TO OPERATING POSITION.
- REVERSE TO STOW HANDLE.

PUMP-UP LEVER

36.00 SQUARE BASE

PUMP-DOWN LEVER

**L-1000 ELEVATING LIFT TABLE
CAPACITY: 1000 lb.**



48.00 ϕ DECK
47.50 ϕ INSULATION

SPECIAL 47.75" ϕ TRANSITE DECK INSULATION MATERIAL SET ON DECK AND RETAINED IN PLACE BY OUTER EDGE OF STEEL UNDERDECK RING.

45.00 RAISED HT.
27.00 LOWERED HT.

0.75 THICK INSULATION

FIXED TOP NONROTATING

HANDLE IN OPERATING POSITION

KEEPER PIN

8" ϕ RIGID WHEEL
URETHANE ON PLASTIC

FLOOR LOCK

8" ϕ SWIVEL WHEEL
URETHANE ON PLASTIC

	Menomonee Falls Wisconsin U.S.A. 800-558-0577	
	DRAWN BY: J.P. WARREN	CHECKED BY: DATE:
SCALE: 1/8	PART NO:	TITLE: SPECIAL L-1000
REV. DATE:	DWG. NO: S/N 17863	