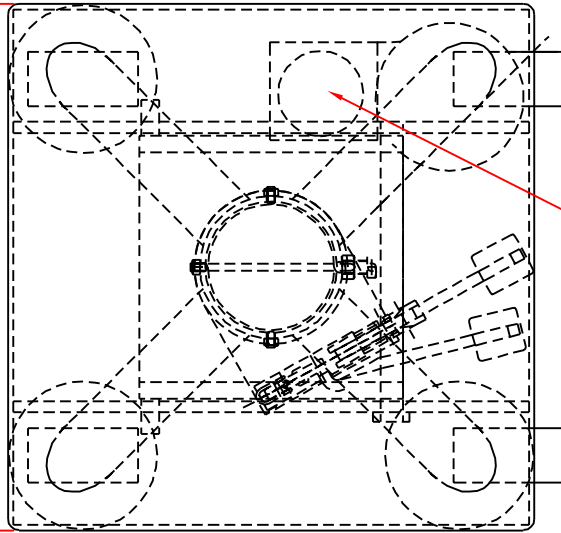


L-124 HYDRAULIC LIFT TABLE  
CAPACITY: 1000 POUNDS

24.00 SQUARE  
DECK & BASE



FLOOR LOCK

90°  
DECK  
TILT

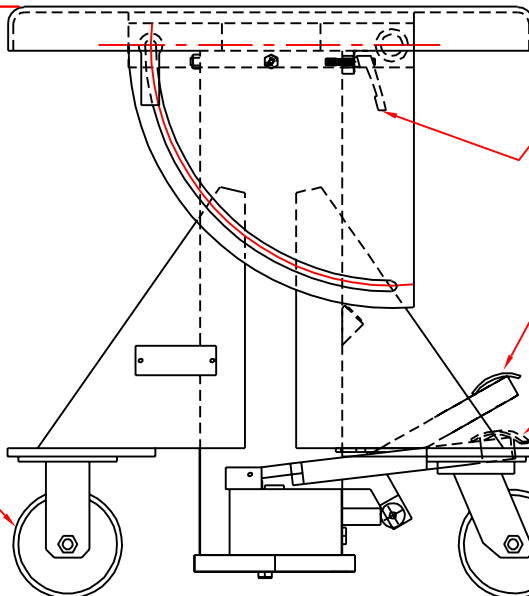
TILT LOCK  
LEVER (2)

90° TILT TOP OPTION

18.00 VERTICAL TRAVEL  
TO  
45.00 RAISED HEIGHT

27.00  
LOWERED  
HEIGHT

WHEEL 5"Ø  
FIXED (2)





ROTATION  
LOCK

PUMP-UP  
LEVER

PUMP-DOWN  
RELEASE  
LEVER

WHEEL 5"Ø  
SWIVEL (2)

 <p>HEVI-AUL INTERNATIONAL, LTD. PRODUCTS THAT MOVE &amp; LIFT THE WORLD</p>  <p>A DIVISION OF HEVI-AUL INTERNATIONAL, LTD.</p>	<p>Menomonee Falls Wisconsin U.S.A. 800-558-0577</p>
	<p>DRAWN BY: J.P. WARREN CHECKED BY: DATE: SCALE: 1/4 PART NO:</p>
<p>TITLE: L124 LIFT TABLE</p>	
<p>REV. DATE:</p>	<p>DRG. NO.: S/N 17856</p>