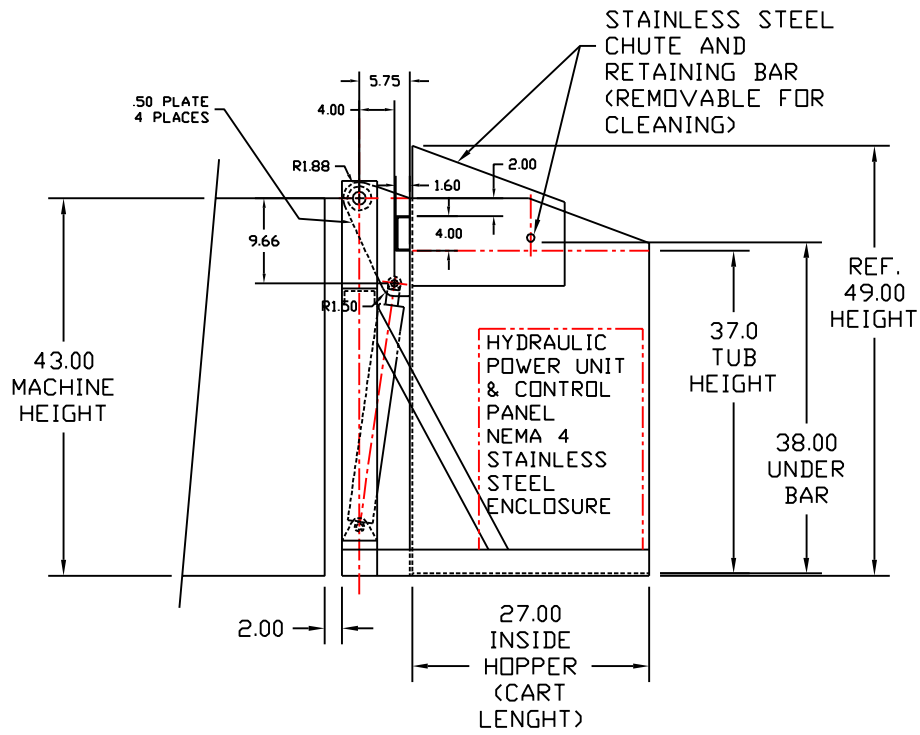


DUMP POSITION



SPECIFICATIONS:
CAPACITY: 700 lbs.
POWER: 120VAC/1PH/60HZ
CONTROL: PUSH BUTTONS ON 6 FOOT PENDANT
CONSTRUCTION: STEEL FRAME AND HOPPER
STAINLESS STEEL CHUTE AND RETAINING BAR.
PAINT: FDA GRADE GRAY

	Menomonee Falls Wisconsin U.S.A. 800-558-0577	
	DRAWN BY: J.P. WARREN CHECKED BY: DATE:	
SCALE: 1/10 PART NO:		TITLE: TIPPER 700#
REV.	DATE	OWG. NO: S/N 17821