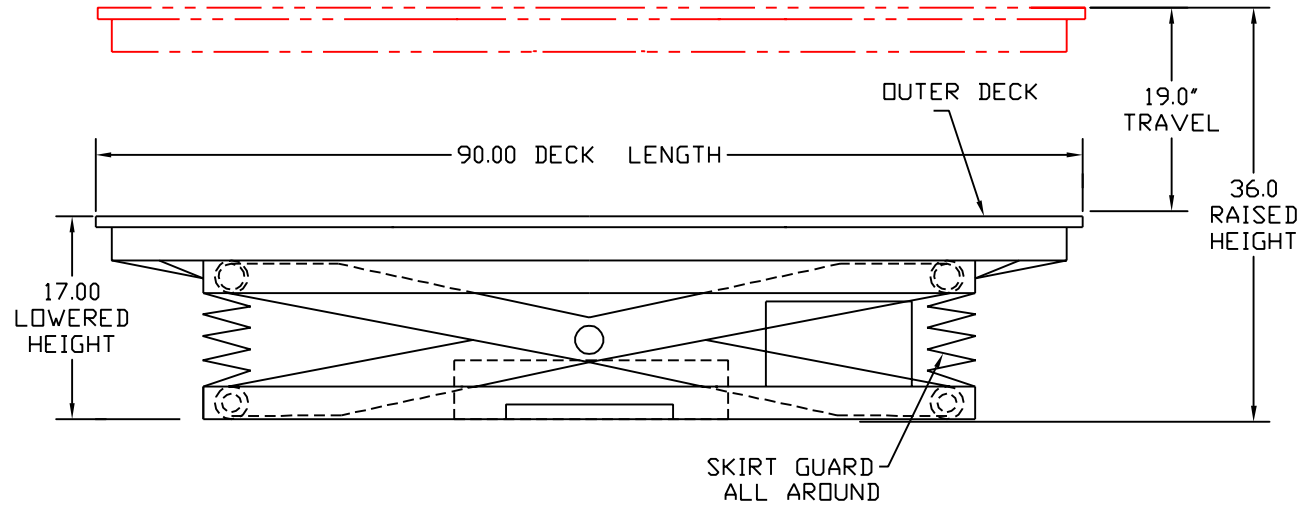


SPECIFICATIONS:
 MODEL: X-1000 SPECIAL
 CAPACITY: 1000#
 DECK: SPECIAL SEE DETAIL
 BASE: 70" x 26"
 RAISED HT.: 36"
 LOWERED HT.: 17"
 TRAVEL: 19"
 POWER: 120 VAC ELECTRIC
 CONTROLS: FOOT PEDALS

TURNTABLES & OUTER DECK
 WHITE LAMINANT
 OVER WOOD BASE
 SUPPORTED ON STEEL
 FRAME AND TURNTABLES.

TYP. BACKSET

GUARDED FOOT PEDALS
 ELECTRIC OR AIR



X-1000 SPECIAL LIFTS

	Menomonee Falls Wisconsin U.S.A. 800-558-0577
	DRAWN BY: J.P. WARREN CHECKED BY: _____ DATE: _____ SCALE: 1/8 PART NO: _____
TITLE: SPECIAL X-1000	
REV. _____ DATE: _____	DWG. NO.: S/N 17818