

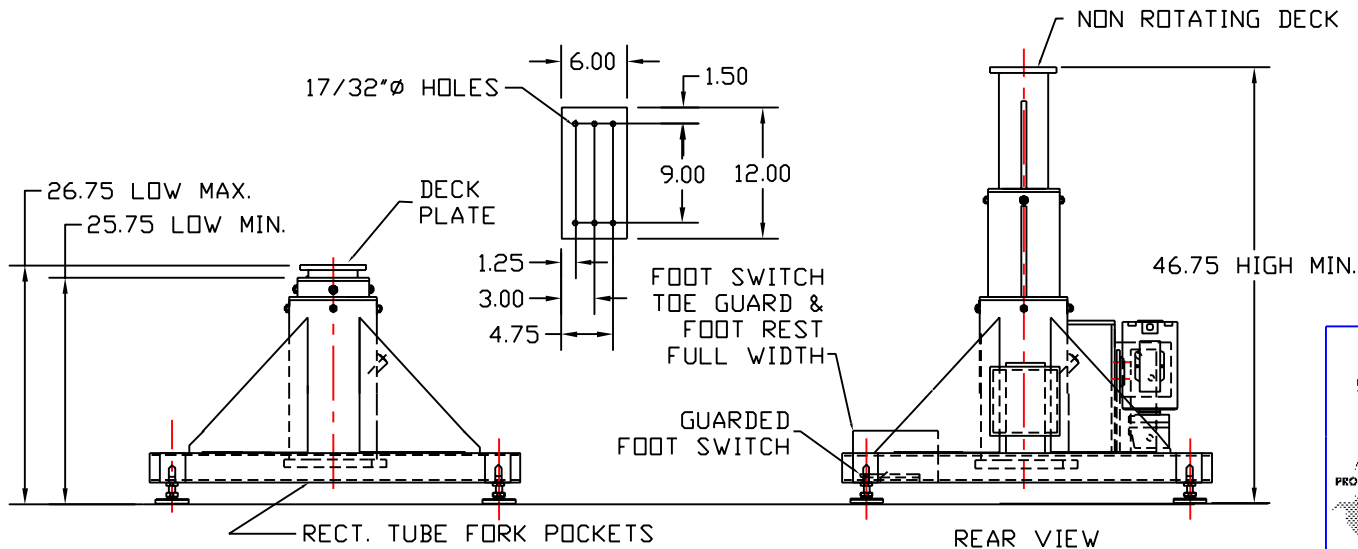
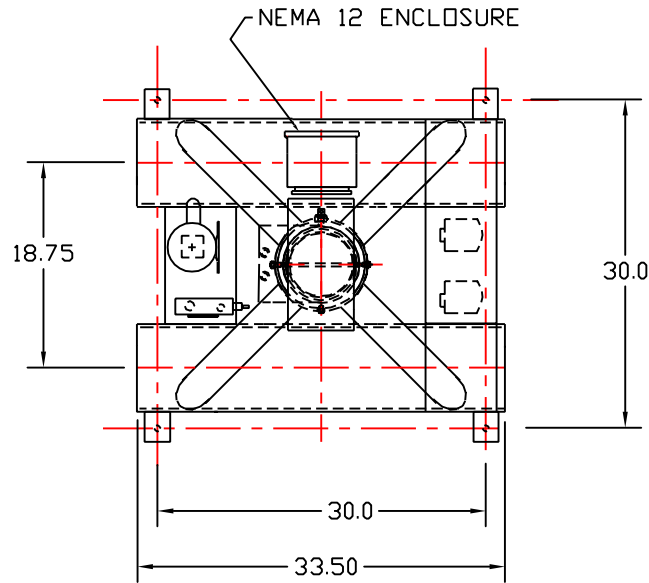
SPECIFICATIONS:

MODEL: L-2000 SPECIAL
 CAPACITY: 2000#
 RAISED HT.: 46.75" MAX.
 LOWERED HT.: 25.75" MIN.
 TRAVEL: 21.0" MAX.

POWER:
 1.0 HP / 115 VAC HYDRAULIC POWER UNIT
 PRESSURE COMPENSATED DOWNSPEED CONTROL
 BUILT IN RESERVOIR WITH FLUID AND FILTRATION

CONTROL:
 GUARDED FOOT SWITCH-MOUNTED
 NEMA 12 ENCLOSURE WITH MOTOR STARTER

ACCESSORIES:
 8.0 X 3.0 X 0.188 WALL RECT. TUBE FORK POCKETS
 3.0" DIA. LEVELING PADS X 1.0" HT. ADJUSTMENT
 UNIT PAINTED: CUSTOMER TO SUPPLY PPG MIX NUMBERS
 SINGLE PART ALKYD ENAMEL TYPE PAINT



| | | |
|-------------------------|-----------------------------------------------------|---------------------|
| | Menomonee Falls Wisconsin U.S.A. 800-558-0577 | |
| | DRAWN BY: J.P. WARREN | CHECKED BY: DATE: |
| SCALE: 1/8 | PART NO.: | |
| TITLE: 2K PEDESTAL LIFT | | |
| REV. | DATE | DWG. NO.: S/N 17772 |