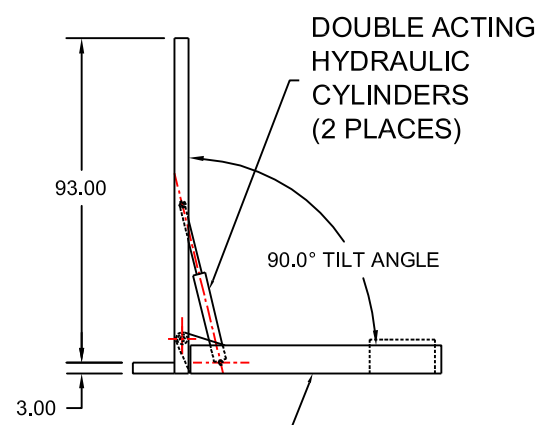


HYDRAULIC POWER UNIT
WITH 1.5 HP MOTOR, 230/3/60 AC
WITH PENDANT PUSH BUTTON CONTROL
UP TRAVEL LIMIT SWITCH

288.00



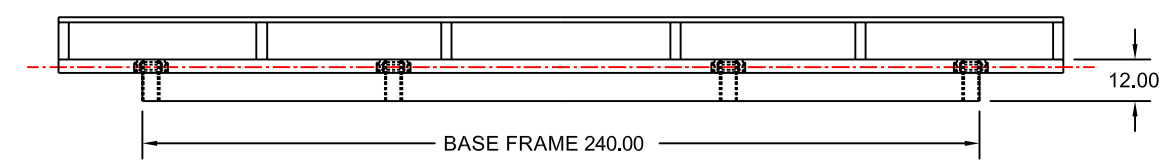
DOUBLE ACTING
HYDRAULIC
CYLINDERS
(2 PLACES)

93.00

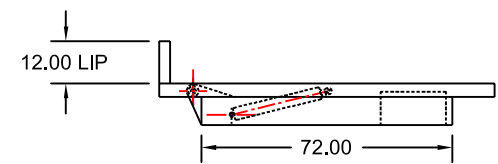
90.0° TILT ANGLE

3.00

UNITS BASE TO BE
ACNCHORED TO FLOOR



BASE FRAME 240.00



12.00 LIP

72.00

90 DEGREE TILTING DECK
CAPACITY 4000 POUNDS EVEN DISTRIBUTION
LOWERED HEIGHT: 12"
TILT: 90 DEGREE
PUSH BUTTON CONTROL (UP AND DOWN)

	Menomonee Falls Wisconsin U.S.A. 800-558-0577	
	DRAWN BY: J.P. WARREN	DATE:
	CHECKED BY:	DATE:
	SCALE: 1/16	PART NO:
TITLE: 4K 90-DEGREE TILTER TABLE		
REV.	DATE.	DWG. NO.: S/N 17764