

48" x 48"
SQUARE
DECK & BASE

FLOOR LOCK

RAISE PEDAL

RELEASE PEDAL

ELEVATING LIFT TABLE

MODEL: L-448

CAPACITY: 4000 POUNDS

POWER: MANUAL FOOT PUMP

DECK AND BASE: 48" SQUARE

WEIGHT: 575 LBS.

COLOR: MACHINE GRAY

OPTIONAL EQUIPMENT:

ELECTRIC POWERED

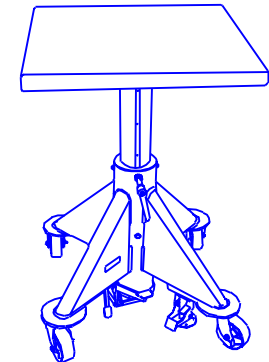
PNEUMATIC POWERED

POLY COATED CASTERS

ROUND DECKS

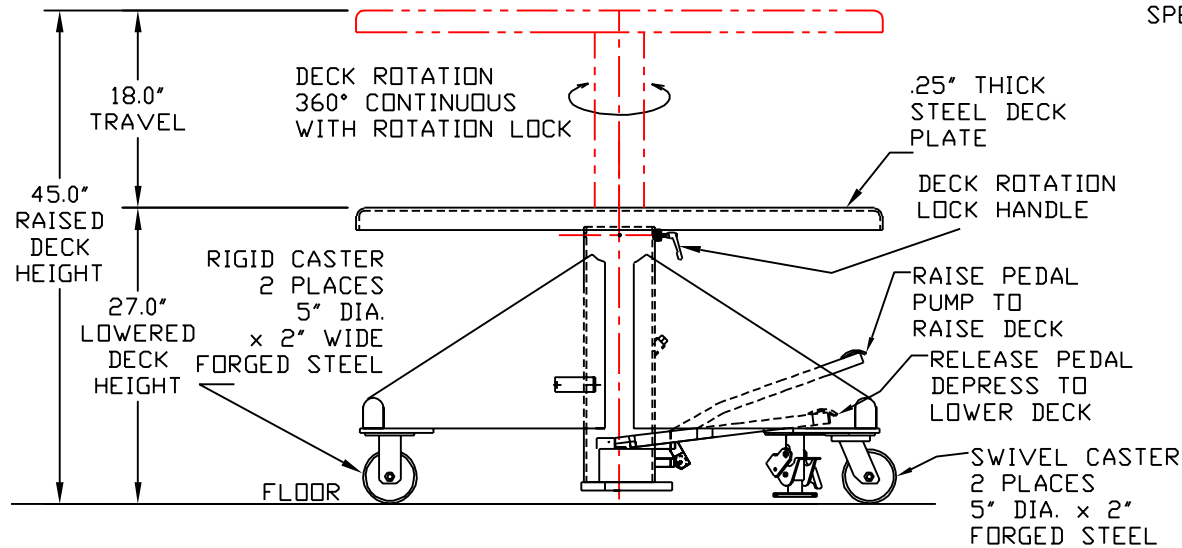
ROLLER CONVEYOR TOPS

BALL TRANSFER TOPS



(L-130
SHOWN)

CONSULT FACTORY WITH YOUR
SPECIAL REQUIREMENTS



18.0"
TRAVEL

DECK ROTATION
360° CONTINUOUS
WITH ROTATION LOCK

.25" THICK
STEEL DECK
PLATE

DECK ROTATION
LOCK HANDLE

45.0"
RAISED
DECK
HEIGHT

RIGID CASTER
2 PLACES
5" DIA.
x 2" WIDE
FORGED STEEL

27.0"
LOWERED
DECK
HEIGHT

RAISE PEDAL
PUMP TO
RAISE DECK

RELEASE PEDAL
DEPRESS TO
LOWER DECK

SWIVEL CASTER
2 PLACES
5" DIA. x 2"
FORGED STEEL

FLOOR



MENOMONEE FALLS, WISCONSIN U.S.A.

PHONE: 800-558-0577

262-502-0333

FAX: 262-502-0260

WEBSITE: WWW.LANGELIFT.COM

THIS DRAWING IS THE PROPERTY OF HEVI-HAUL INTERNATIONAL, LTD. ALL THE INFORMATION THEREON IS CONFIDENTIAL AND MUST NOT BE MADE PUBLIC, NOR COPIED, NOR USED TO THE DISADVANTAGE OF HEVI-HAUL INTERNATIONAL, LTD., AND IS SUBJECT TO RETURN ON DEMAND.

FILE: L-448 SPEC SHEET PART NO: L-448

SCALE: 1/4 DRAWN BY: BRUCE CHECKED BY: DATE:

REV: DATE: 10-12-99 PRC. NO: L-448