

# 2K IN-GROUND LIFT

# SN #22519

**MODEL:** IN-GROUND LIFT

**CAPACITY:** 2000#

**RAISED HEIGHT:** 165.25,,

**LOWERED HEIGHT:** 105.25,,

**POWER:**

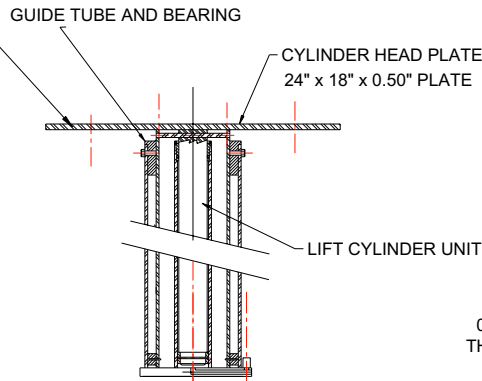
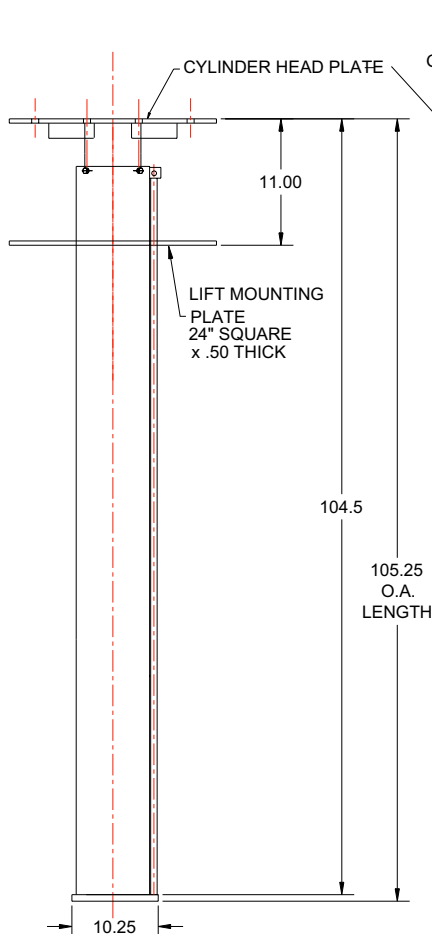
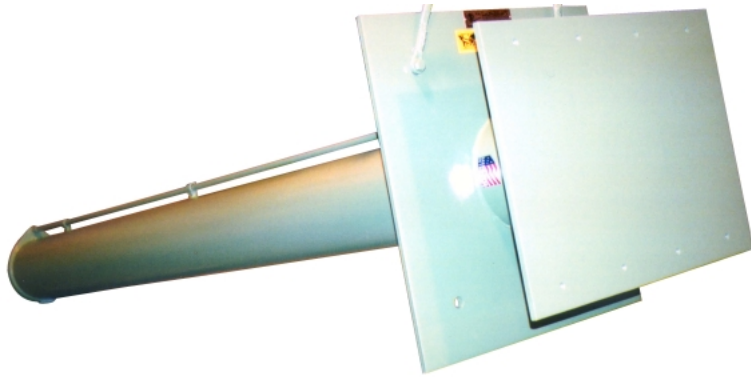
- 1.5 HP HYDRAULIC POWER UNIT
- 220 OR 460 VAC/3PH/60 HZ MOTOR

**CONTROL:**

- CUSTOMER PROVIDED

**DECK:**

- 48,, X 60,, BOLT ON DECK
- 24,, X 18,, X \_,, THICK HEAD PLATE



CAPACITY: 2,000 LB's

