

CUSTOM TILT-TOP DIE TABLE

SN #22454

MODEL: CUSTOM TILT-TOP DIE TABLE

CAPACITY: 400#

RAISED HEIGHT: 25.,

LOWERED HEIGHT: 50.,

DECK: 24" DIA. WITH SLOTS AND CENTER THREADED ROD

-TILTS 90 DEGREES FROM LEVEL

-360 DEG. POWERED DECK ROTATION

-VARIABLE SPEED (0.25-3.5 RPM)

POWER:

-120 VAC HYDRAULIC POWER UNIT FOR RAISING AND LOWERING

-120 VAC ACTUATOR FOR TILTING

-DECK ROT. DC FROM AC DECK MOTOR

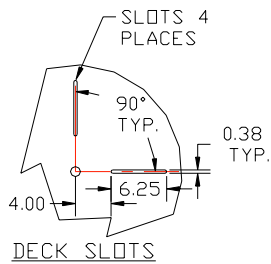
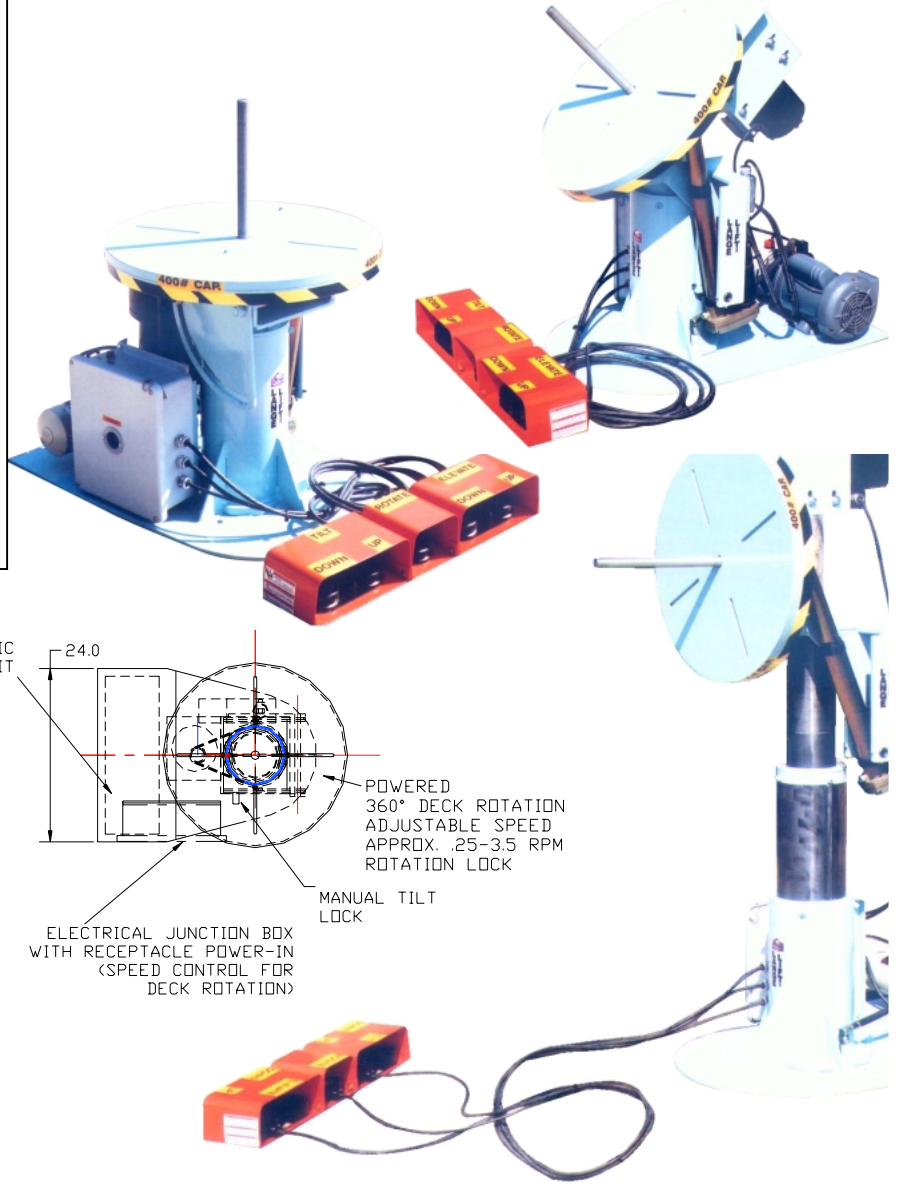
CONTROL:

-5 STATION GAURDED FOOT PEDAL

WITH RAISE/LOWER, TILT UP/TILT

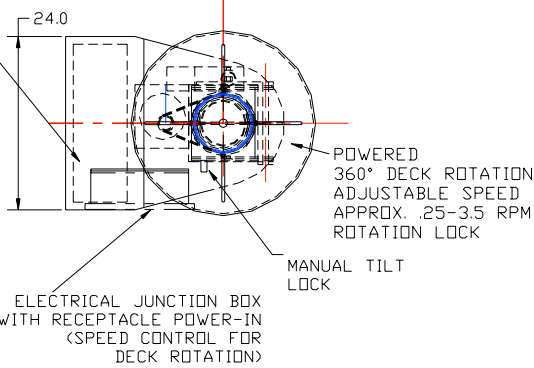
DOWN, AND DECK ROTATION PEDAL

WITH SPEED CONTROL

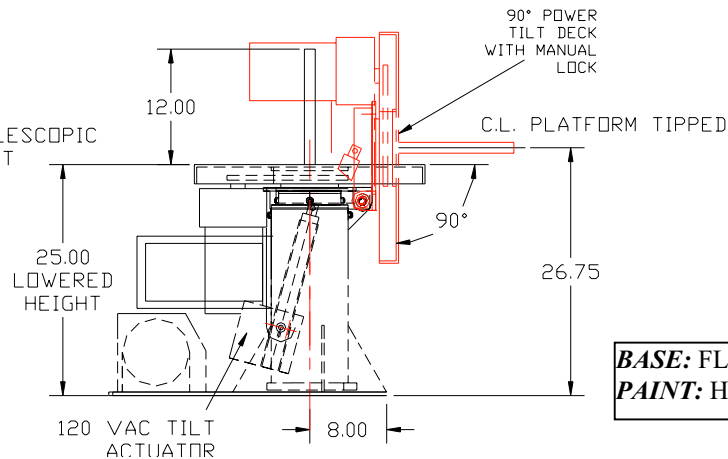
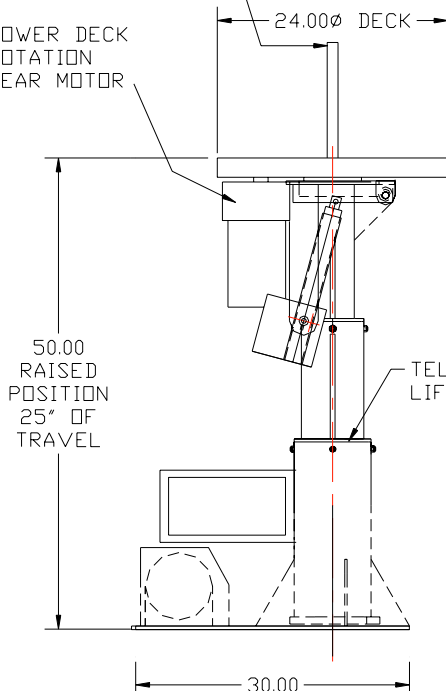


1"-8 THREADED ROD X 12" L IN CENTER OF DECK

120 VAC HYDRAULIC POWER UNIT



POWER DECK ROTATION GEAR MOTOR



BASE: FLOOR MOUNTED
PAINT: HAMILTON BLUE