

L-124 SPECIAL TILT TOP LIFT

SN #21916

MODEL: L-124 SPECIAL WITH 30 DEGREE TILT TOP DECK

CAPACITY: 1000#

RAISED HEIGHT: 45,,

LOWERED HEIGHT: 27,,

POWER:

-MANUEL FOOT PUMP

DECK AND BASE:

- 24,, SQUARE DECK WITH SLOTS

- 30 DEGREES MANUAL TILT DECK

ADDED TOOLING SUPPLIED WITH LIFT:

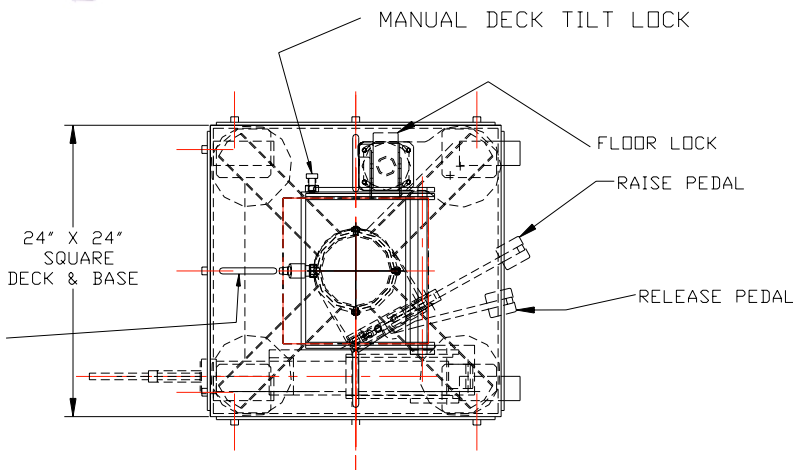
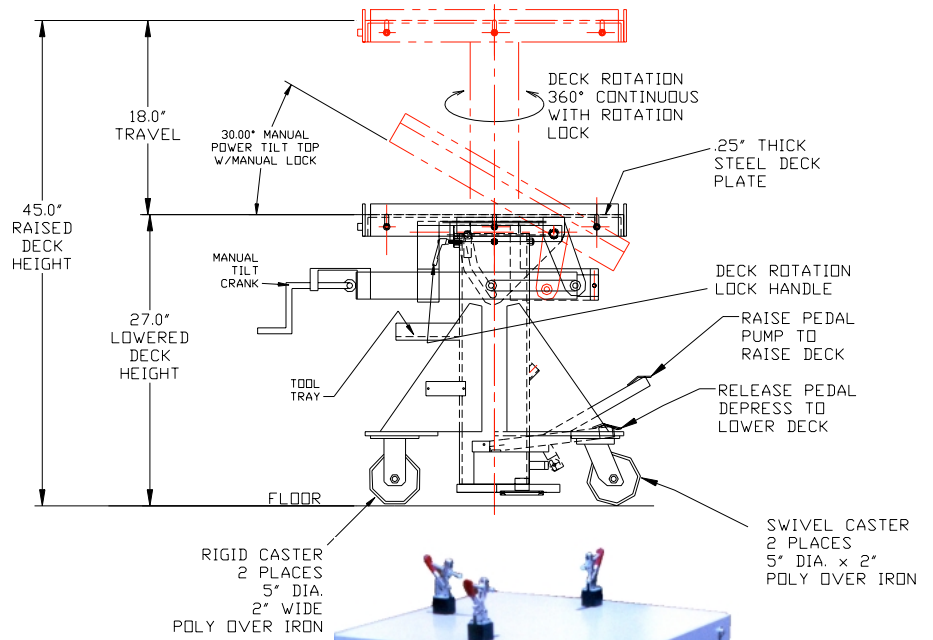
- 3 THREADED SPACER BLOCKS

- 3 DE-STA-CO MANUEL CLAMPS

- 3 DE-STA-CO ADJ. SPINDLES

- 3 WASHERS

- 3 CL-4-CP TEE BOLTS



TOOLING
SLOTS
3 PLACES
SEE
PAGE 2/2
FOR DETAILS