

90 DEGREE UPENDER

SN #21764

MODEL: 90 DEGREE TILTER/UPENDER

CAPACITY: 3000#

DECK: 96,, x 38,, @ 12,, HEIGHT (WITH ADJUSTABLE STAND-OFFS, THREE PLACES WITH CARPETED SURFACE)

BASE: 90,, X 38,, CASTER SUPPORTED

DECK TILT: 90 DEGREE FROM HORIZ.

POWER:

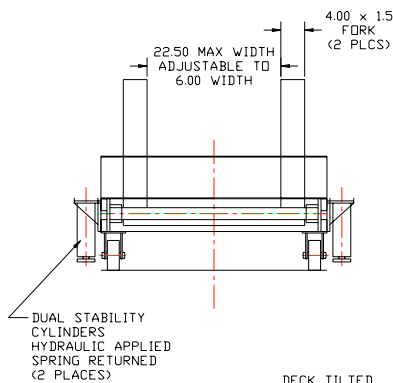
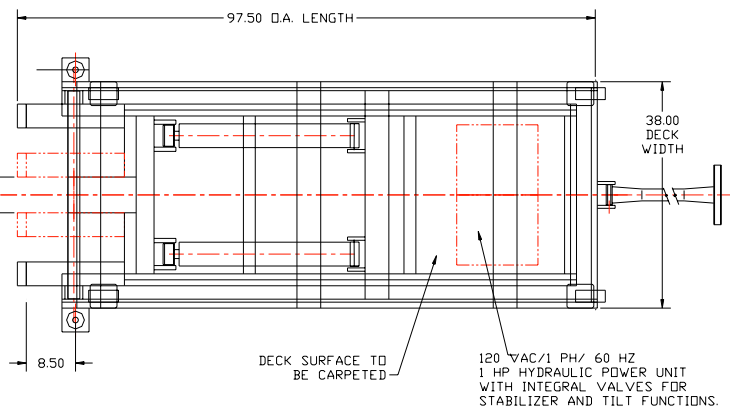
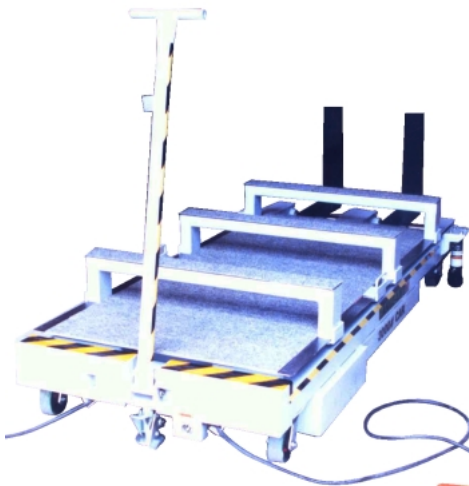
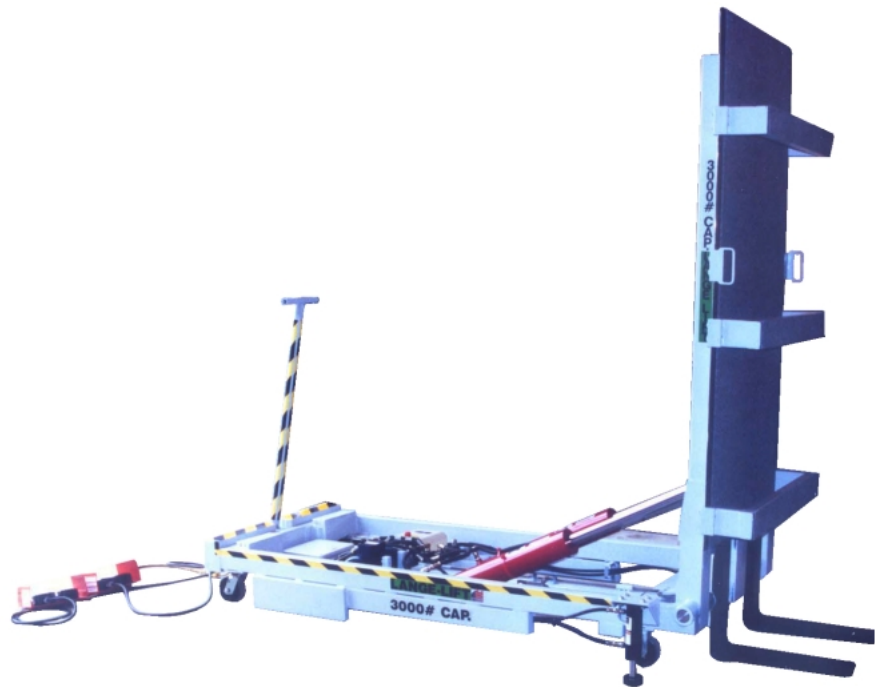
-1 HP 120 VAC HYDRAULIC POWER UNIT

CONTROL:

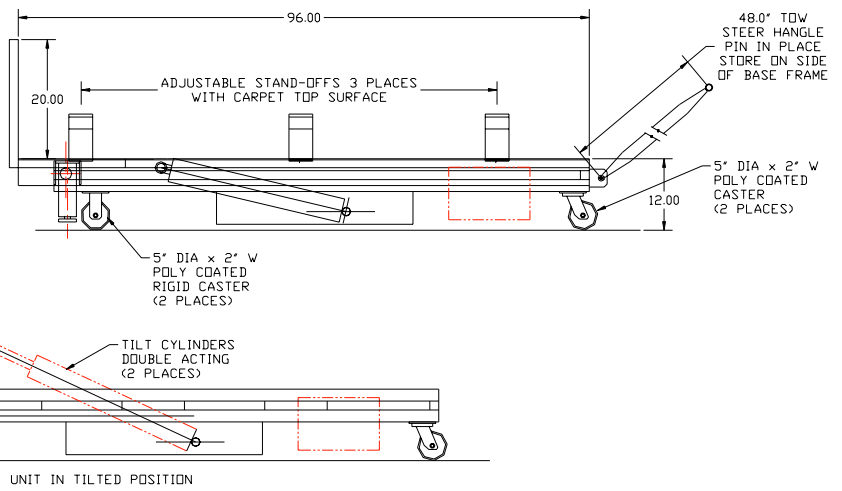
-FOOT PEDAL CONTROLS ON 10 FT.

PENDANT

FLOOR LOCKS/STABILIZERS: 2 WITH CONTROL ON FOOT PEDAL CONTROL



DECK TILTED FULL 90°



UNIT IN TILTED POSITION