

CUSTOM TIPSTER

SN #17821

SPECIFICATIONS:

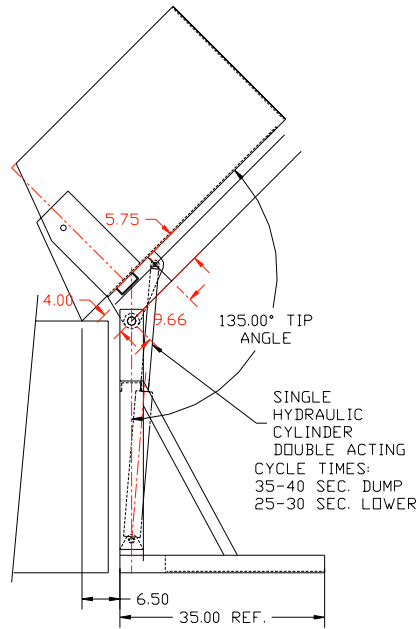
CAPACITY: 700#

POWER: 120 VAC/1PH/60HZ

CONTROL: PUSH BUTTON PENDANT ON 6 FOOT CORD.

CONSTRUCTION: STEEL FRAME AND HOPPER. STAINLESS STEEL CHUTE AND RETAINING BAR.

PAINT: FDA GRADE GRAY



DUMP POSITION

