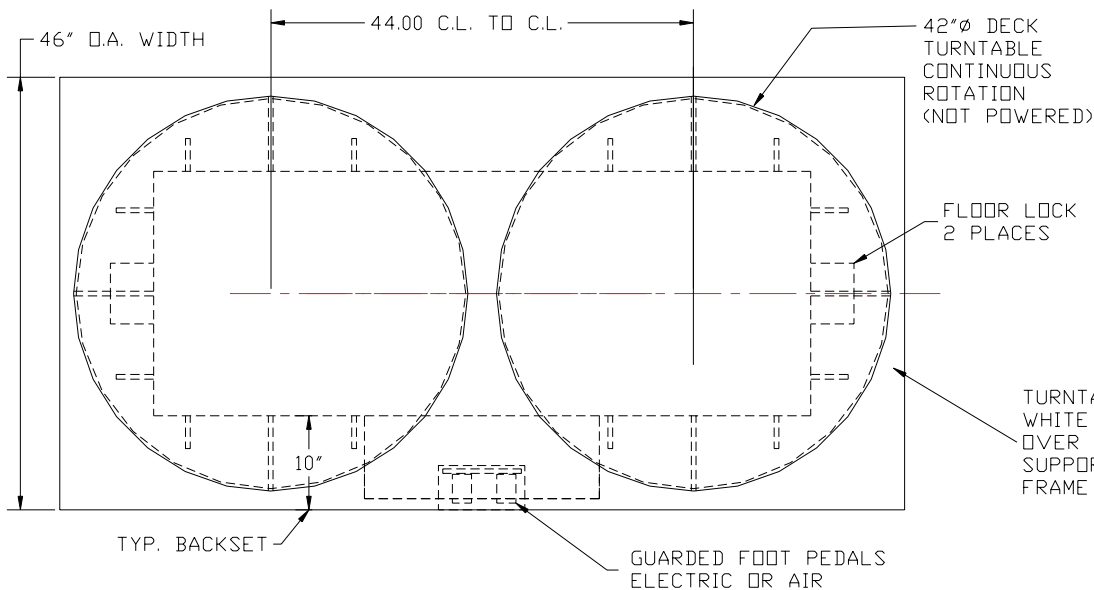
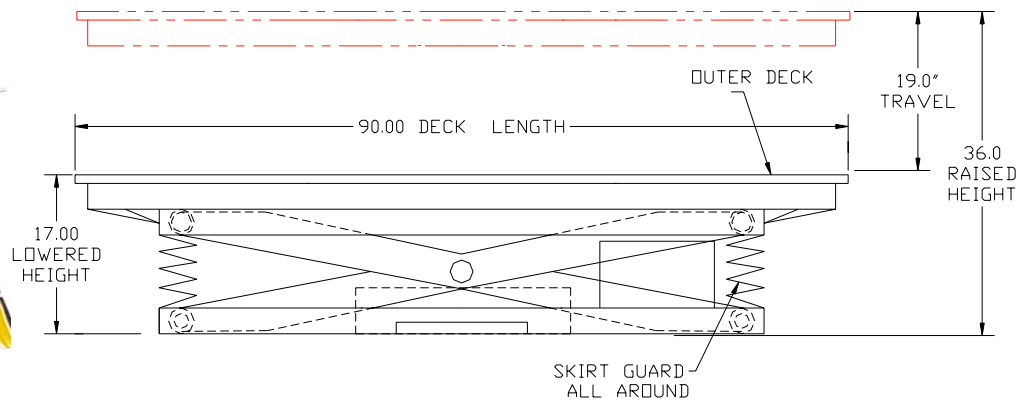


CUSTOM SCISSORS LIFT

SN #17818

SPECIFICATIONS

MODEL: X-1000 SPECIAL
-SCISSORS LIFT WITH TWO ROTATING TURNTABLES
CAPACITY: 1000#
BASE: 70" X 26"
RAISED HEIGHT: 36"
LOWERED HEIGHT: 17"
TRAVEL: 19"
POWER: 120 VAC ELECTRIC
CONTROLS: FOOT CONTROLS
ACCESSORIES:
SAFETY SKIRT – 35 OZ. NEOPRENE
REMOVABLE FOR ACCESS TO THE
POWER UNIT



TURNTABLES & OUTER DECK
WHITE LAMINANT
OVER WOOD BASE
SUPPORTED ON STEEL
FRAME AND TURNTABLES.