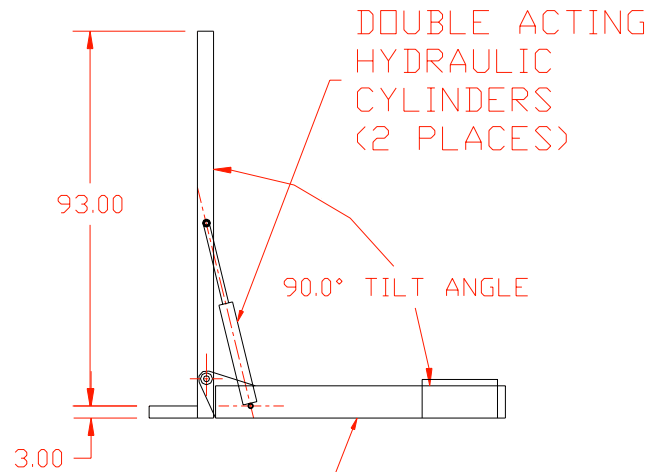
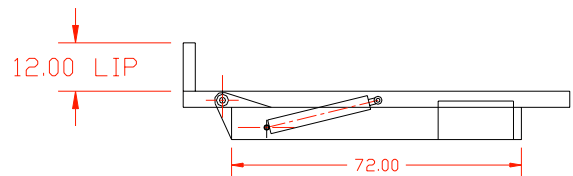


90 DEGREE TILTER

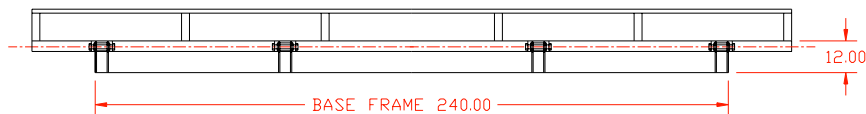
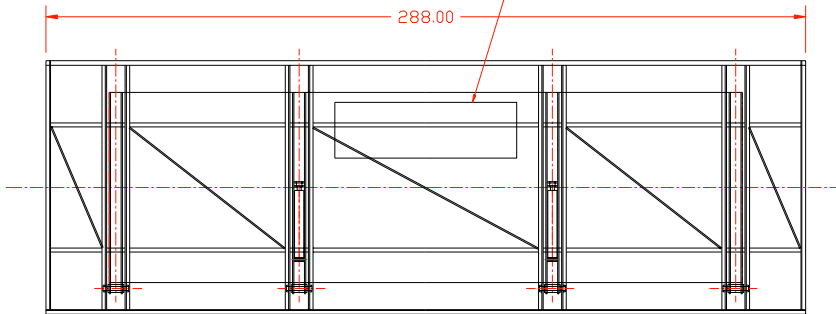
SN #17764



UNITS BASE TO BE ACNCHORED TO FLOOR



HYDRAULIC POWER UNIT
WITH 1.5 HP MOTOR, 230/3/60 AC
WITH PENDANT PUSH BUTTON CONTROL
UP TRAVEL LIMIT SWITCH



90 DEGREE TILTING DECK
CAPACITY 4000 POUNDS EVEN DISTRIBUTION
LOWERED HEIGHT: 12"
TILT: 90 DEGREE
PUSH BUTTON CONTROL (UP AND DOWN)