



PRICE LIST 2012

LANGE LIFT DIE TABLES

Lange Lift's Unbeatable Die Tables take the punishment under high cycles and tough conditions. We provide practical solutions to your material handling needs. Powerful. Reliable. Ergonomic.

STANDARD FEATURES:

- Reinforced Steel Deck
- 360° Deck Rotation
- 18" Travel, 27" Lowered, 45" Raised
- 5" Cast Iron Casters (2) Rigid, (2) Swivel
- Industrial Floor Lock
- Push Button Adjustable Lock Handle Locks Deck In Place At Any Height
- Manual Hydraulic Foot Pump
- Standard Capacities from 1,000 - 4,000 lbs.

COMMON OPTIONS:

DECKS:

- Rectangular
- Circular
- Roller Conveyor
- Ball Transfer
- Slotted
- Rubber Coated
- Polyurethane Coated
- Custom Machined
- 45° or 90° Tilting

CASTERS:

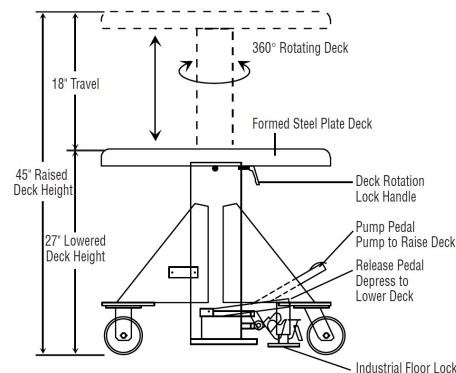
- Polyurethane Coated
- Rubber
- Forged Steel
- V-Grooved
- Large Diameter
- Total Lock
- All Swivel or Rigid

POWER:

- Electric, 120V or 480V, Single Phase or 3 Phase
- 12V Battery & Charger
- Pneumatic over Hydraulic

OTHER:

- No Deck
- Floor Mountable
- Dual Floor Locks
- Powered Tilt
- Powered Rotation
- Telescopic Cylinders
- Tow & Store Handles
- Varying Deck Heights
- Handheld Pendants
- Foot Switches
- Custom Colors
- Adjustable End Stops



	MODEL	CAPACITY	WEIGHT	DECK SIZE	PRICE (USD)
1000 SERIES	L-124	1,000 lbs.	285 lbs.	24" x 24"	\$ 1,592.00
	L-130	1,000 lbs.	310 lbs.	30" x 30"	\$ 1,633.00
	L-136	1,000 lbs.	365 lbs.	36" x 36"	\$ 2,006.00
	L-148	1,000 lbs.	450 lbs.	48" x 48"	\$ 2,365.00
2000 SERIES	L-224	2,000 lbs.	300 lbs.	24" x 24"	\$ 1,724.00
	L-230	2,000 lbs.	325 lbs.	30" x 30"	\$ 1,841.00
	L-236	2,000 lbs.	390 lbs.	36" x 36"	\$ 2,179.00
	L-248	2,000 lbs.	475 lbs.	48" x 48"	\$ 2,521.00
3000 SERIES	L-324	3,000 lbs.	350 lbs.	24" x 24"	\$ 1,841.00
	L-330	3,000 lbs.	385 lbs.	30" x 30"	\$ 2,107.00
	L-336	3,000 lbs.	390 lbs.	36" x 36"	\$ 2,334.00
	L-348	3,000 lbs.	475 lbs.	48" x 48"	\$ 2,779.00
4000 SERIES	L-424	4,000 lbs.	385 lbs.	24" x 24"	\$ 2,379.00
	L-430	4,000 lbs.	435 lbs.	30" x 30"	\$ 2,450.00
	L-436	4,000 lbs.	490 lbs.	36" x 36"	\$ 2,612.00
	L-448	4,000 lbs.	575 lbs.	48" x 48"	\$ 2,990.00

More options? Just call and ask. The possibilities are endless...

Terms and Conditions:

Net 30 days with approved credit.

F.O.B. Menomonee Falls, WI, USA

Prices are subject to change without notice.

All agreements subject to strike, accidents, and other causes beyond our control.

We Gladly Accept:



©2012 Hevi-Haul Litho, USA

N90 W14555 Commerce Dr.

PO Box 580 (53052)

Menomonee Falls, WI 53051

Phone: 262-502-0333

Fax: 262-502-0260

CALL TODAY FOR YOUR QUOTE!

1-800-558-0577

www.langelift.com



LL2012PL.001